

TOTO | CONCEALED TANK

Concealed Tank with Frame

WH171A



Features

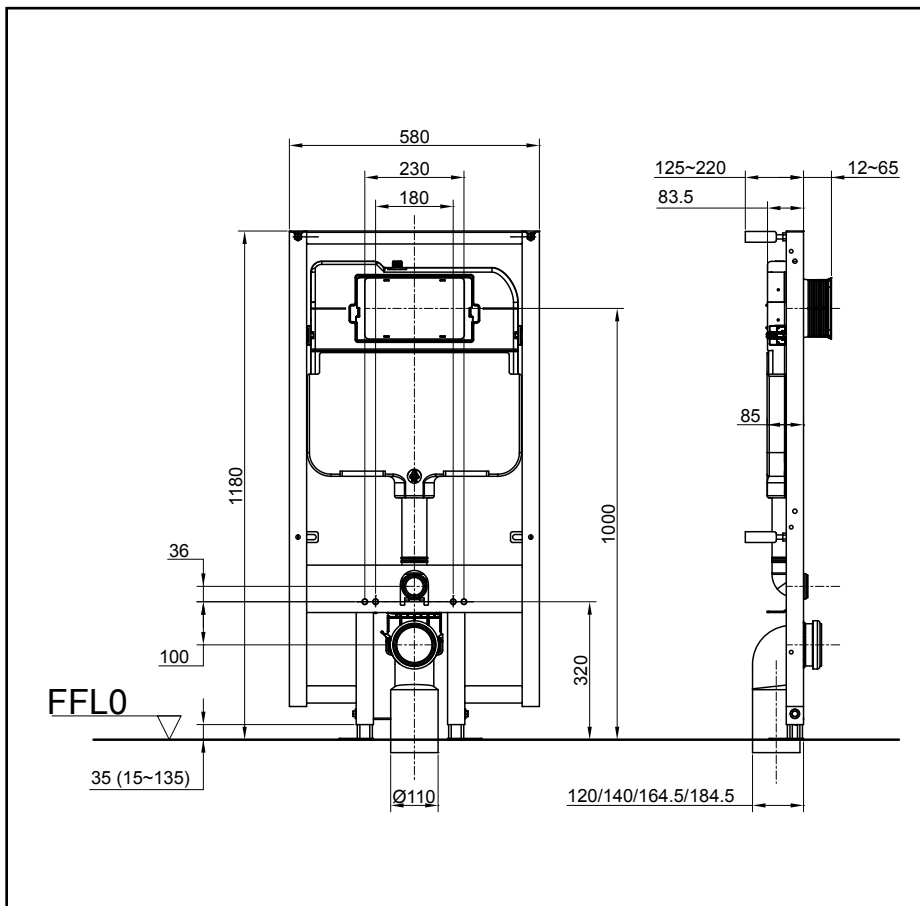
- Dual Flush System
- WATER SAVING

Specifications

Water Use : 6L / 3L
Water Pressure : 0.05MPa~0.75MPa

Parts description

- **WH171A**
Concealed Tank (6L / 3L)



Push Plate

- MB170P#SS
- MB170P#WH
- MB174P#SS
- MB174P#WH

Please consult a TOTO representative for details

TOTO (THAILAND) CO.,LTD
Bangkok Office : G Tower Grand Rama 9,12th Floor, South Wing, 9 Rama IX Road,Huaykwang Sub-district,Huaykwang District, Bangkok. 10310 Thailand
Tel : +(66)2-117-9520(AUTO) Fax : +(66)2-117-9527
th.toto.com

All rights reserved by TOTO company. Specifications and size are subject to change without notice.