

# TOTO

# URINALS

Wall Hung Urinal  
with Built-in Sensor

**USWN902AS**  
**USWN902AE**  
**USWN902A**



## Features

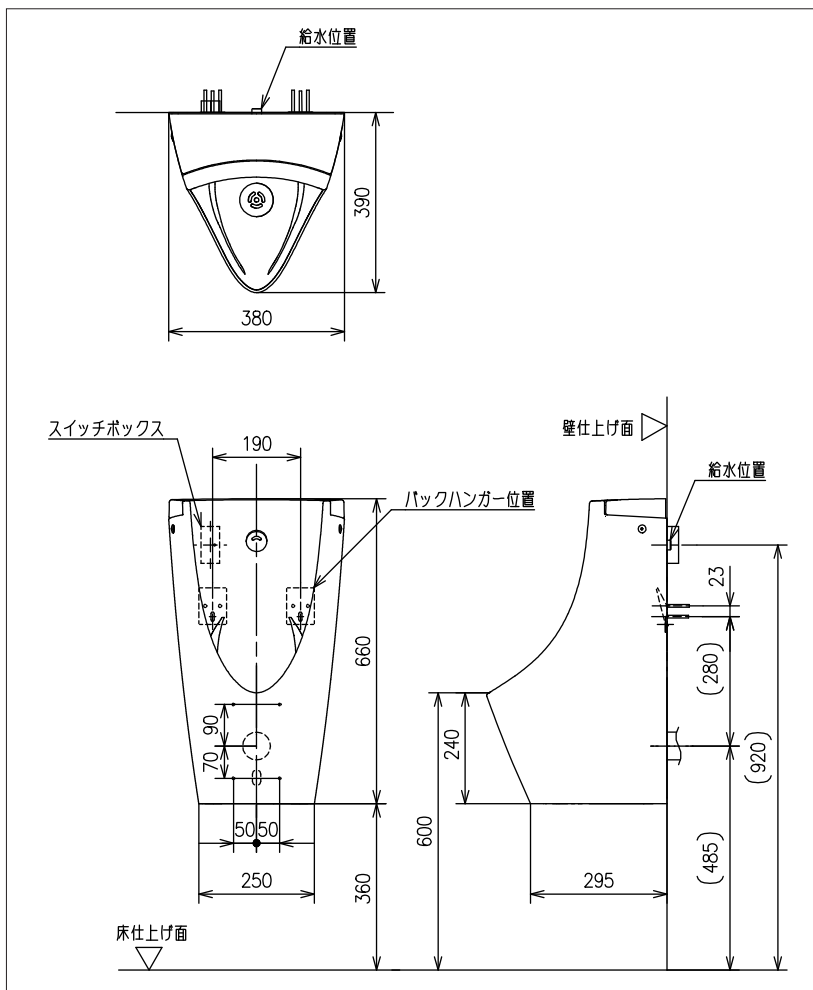
- Compact design with privacy shields
- Universal low lip design - easy approach for young children
- CEFIONTECT technology: super smooth, ion barrier glazing for a clean urinal
- WATER SAVING effect with powerful flushing action
- Integral trap
- EWATER+ type available

## Specifications

Water Use : 0.5 L

Size : 380X390X660 mm

Water Pressure : 0.07MPa~0.75MPa



## Parts description

### ● USWN902AS

Wall Hung Urinal Back Inlet Type  
with Built-in Sensor and  
EWATER+ feature  
AC 220V Operated

### ● USWN902AE

Wall Hung Urinal Back Inlet Type  
with Built-in Sensor and  
AC 220V Operated

### ● USWN902A

Wall Hung Urinal Back Inlet Type  
with Built-in Sensor and  
Battery Operated

## Colors

White

Please consult a TOTO representative for details

TOTO (THAILAND) CO.,LTD  
Bangkok Office : G Tower Grand Rama 9,12th Floor, South Wing, 9 Rama IX Road, Huaykwang Sub-district, Huaykwang District, Bangkok. 10310 Thailand  
Tel : +(66)2-117-9520(AUTO) Fax : +(66)2-117-9527  
th.toto.com

All rights reserved by TOTO company. Specifications and size are subject to change without notice.