

## Item number: TX473SK COCKTAIL Series



### Features

- Modern styling to complement the COCKTAIL design suite
- Durable finishes

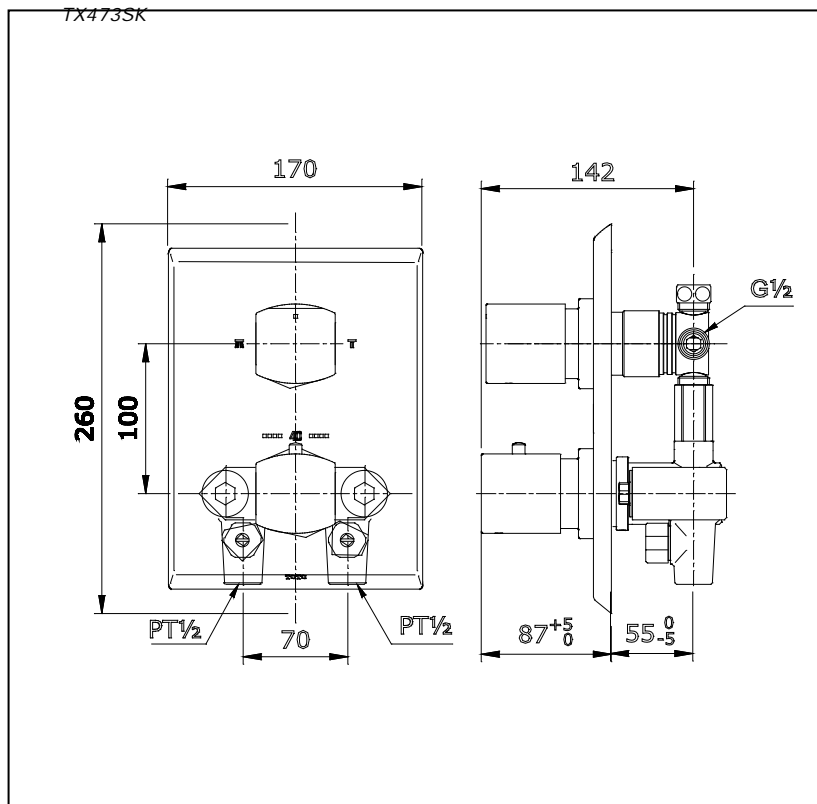
### Specifications

Water Pressure	: 0.05MPa - 0.75MPa
Finish	: Nickel Chrome
Material	: Brass
Flow Rate/ (Bath side)	: >9L/min @0.1MPa.
Flow Rate/ (Shower side)	: >6L/min @0.1MPa.

### Parts description

- TX473SK  
Thermostat Bath and Shower Mixer  
with Diverter and Stop Valve

### Drawing:



### Remarks:

Please result TOTO sales representative for detail.