

Item number: **TX451SK COCKTAIL Series**



Features

- Modern styling to complement the COCKTAIL design suite
- Durable finishes

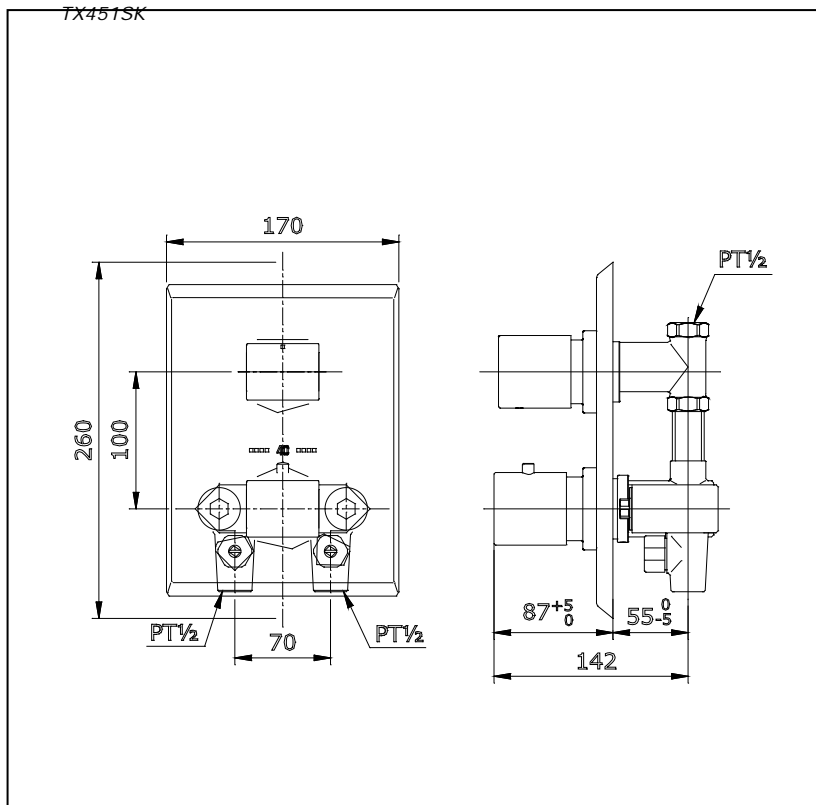
Specifications

Water Pressure : 0.05MPa - 0.75MPa
 Finish : Nickel Chrome
 Material : Brass
 Flow Rate/ : >6L/min @0.1MPa.
 Water usage

Parts description

- **TX451SK**
 Thermostat Bath or Shower Mixer With Stop Valve

Drawing:



Remarks:

Please result TOTO sales representative for detail.

TOTO (THAILAND) CO.,LTD
 Bangkok Office : G Tower Grand Rama 9,12th Floor, South Wing, 9 Rama IX Road,Huaykwang Sub-district,Huaykwang District, Bangkok. 10310 Thailand
 Tel : +(66)2-117-9520(AUTO) Fax : +(66)2-117-9527
 th.toto.com

All rights reserved by TOTO company. Specifications and size are subject to change without notice.