

Item number: **TX442SK COCKTAIL Series**



Features

- Modern styling to complement the COCKTAIL design suite
- Durable finishes

Specifications

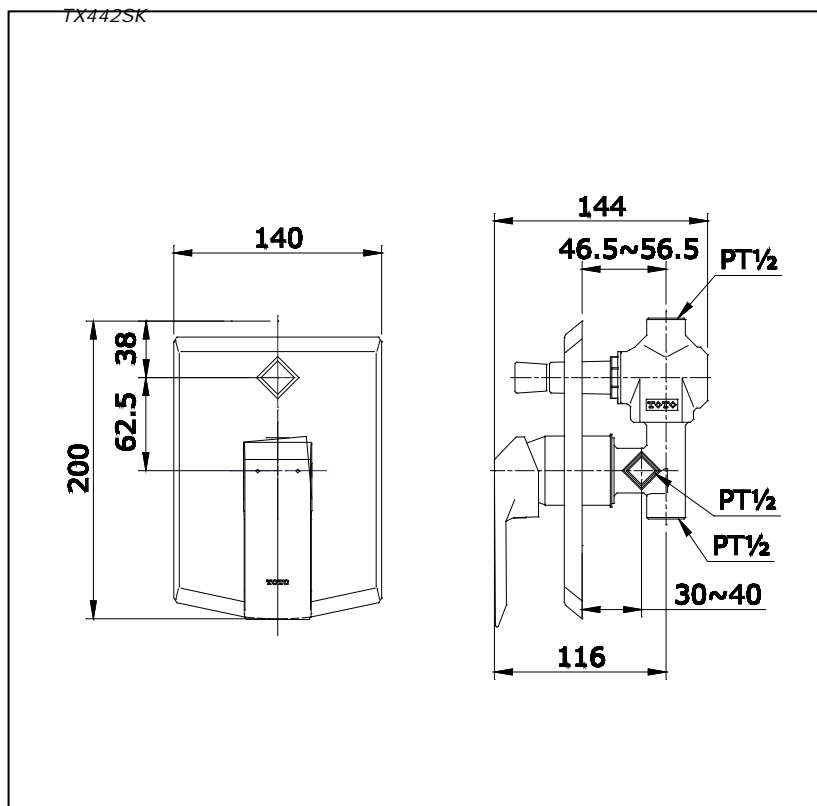
Water Pressure : 0.05MPa - 0.75MPa
 Finish : Nickel Chrome
 Material : Brass
 Flow Rate/ (Bath side) : >9L/min @0.1MPa.
 Flow Rate/ (Shower side) : >6L/min @0.1MPa.

Parts description

- TX442SK

Single Lever Bath and Shower Mixer with Diverter

Drawing:



Remarks:

Please result TOTO sales representative for detail.