

## Item number: TX115LK COCKTAIL Series



### Features

- Modern styling to complement the COCKTAIL design suite
- Durable finishes
- Brass valve bodies
- Ceramic disk valve cartridge for drip-free performance
- Pop-up drain

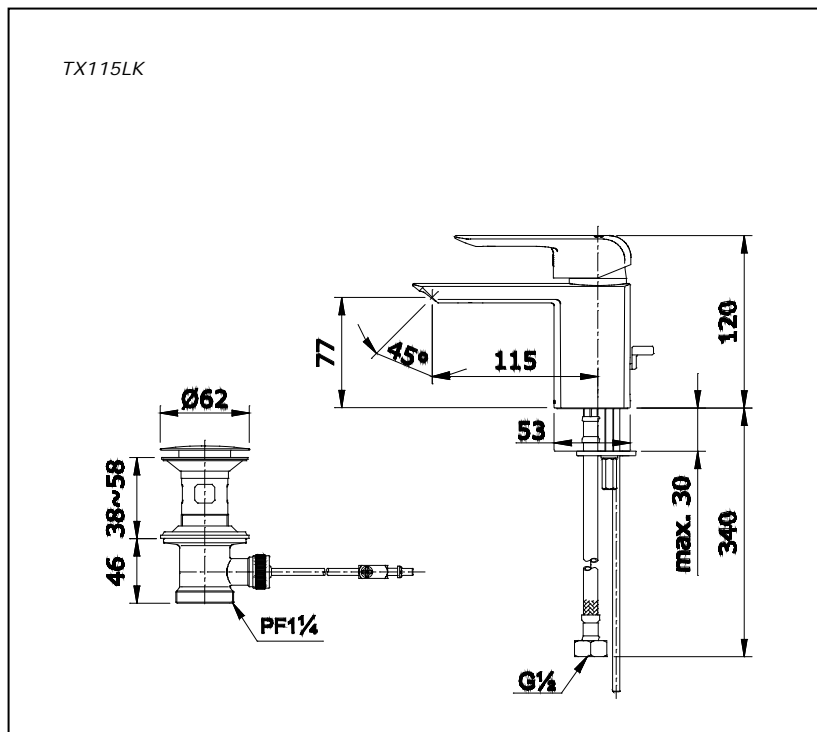
### Specifications

Water Pressure : 0.05MPa -0.75MPa  
 Hole : 1 Hole  
 Finish : Nickel Chrome  
 Material : Brass  
 Flow Rate/ : <6L/min @0.1MPa.  
 Water usage

### Parts description

- TX115LK  
 Single Lever Lavatory Faucet  
 with Pop-Up Waste

### Drawing:



### Remarks:

Please result TOTO sales representative for detail.