

Item number: **TX115LI** **ICON Series**



## Features

- Modern styling to complement the Icon design suite
- Durable finishes

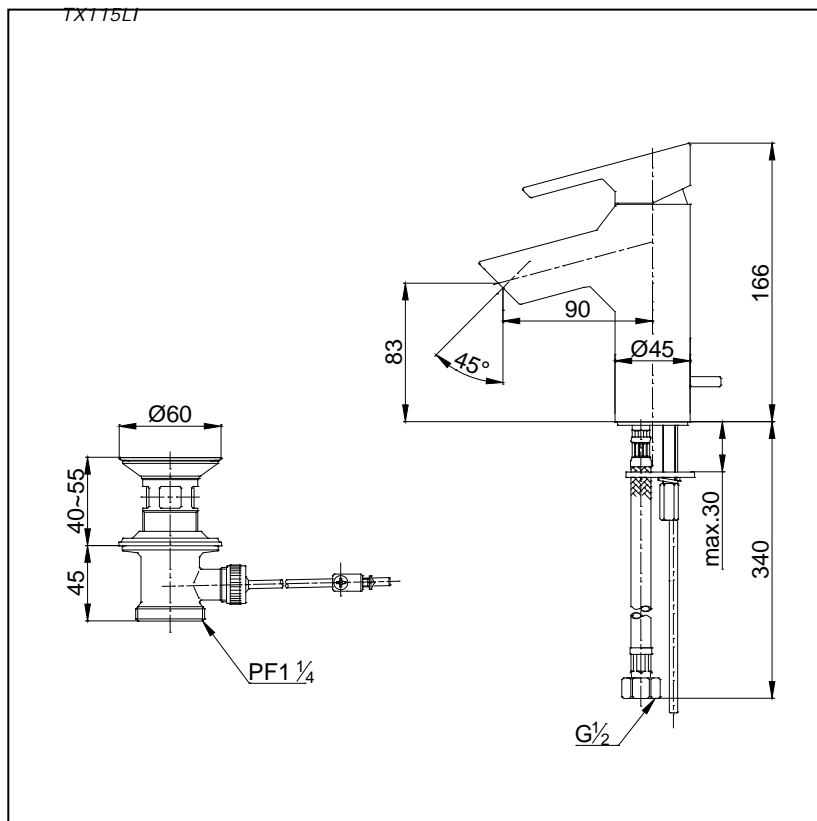
## Specifications

Water Pressure : 0.05MPa - 0.75MPa  
 Hole : 1 Hole  
 Finish : Nickel Chrome  
 Material : Brass  
 Flow Rate/ : <6L/min @0.1MPa.  
 Water usage

## Parts description

- **TX115LI**  
 Single Lever Lavatory Faucet  
 with Pop-Up Waste

## Drawing:



## Remarks:

Please consult TOTO sales representative for detail.