

Item number: **TX109LP** **PLANO Series**



Features



Specifications

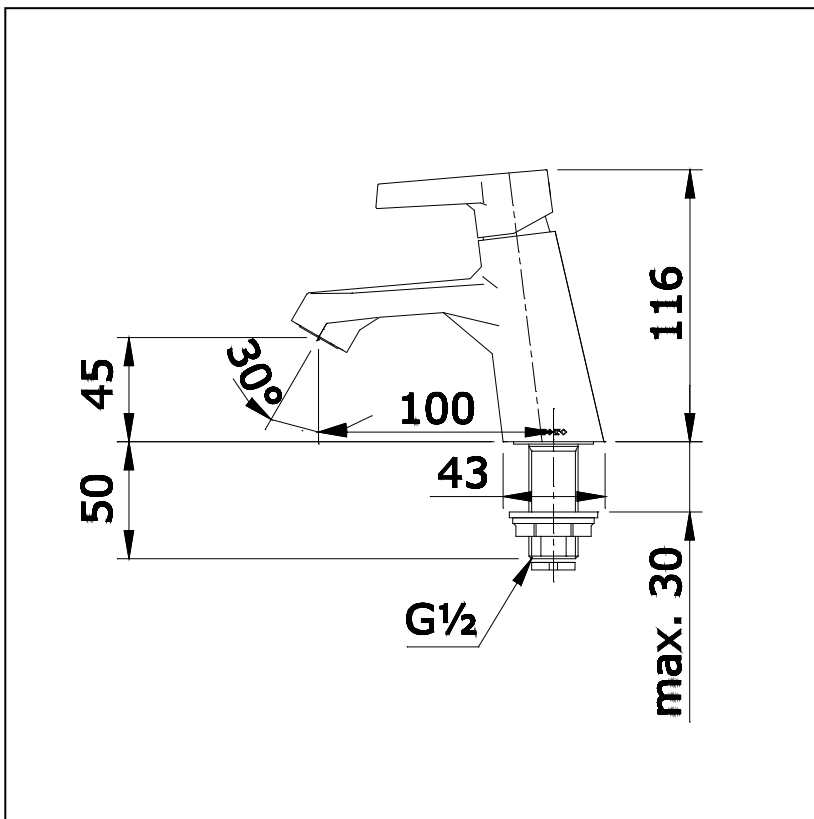
Water Pressure : 0.05MPa -0.75MPa
 Hole : 1 Hole
 Finish : Nickel Chrome
 Material : Brass
 Flow Rate/ : <6L/min @0.1MPa.
 Water usage

Parts description

- **TX109LP**

Single Lever Lavatory Faucet without Pop-Up Waste (Cold Water)

Drawing:



Remarks:

Please result TOTO sales representative for detail.