

Item number: **TTWR103K REI-S Series**



Features

- Sharp-lined smart design exclusively for REI- Square series
- Durable finishes

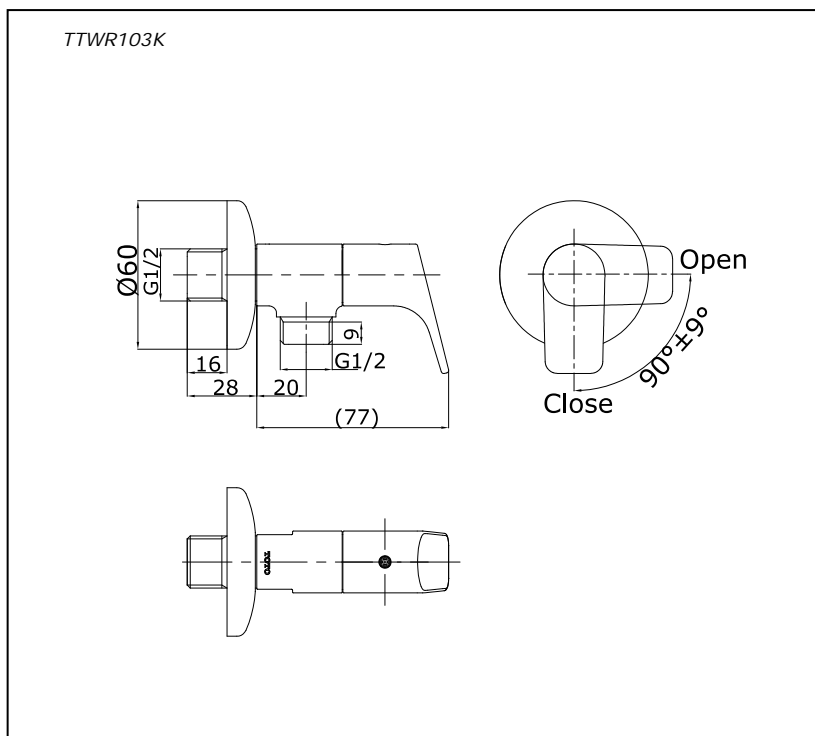
Specifications

Water Pressure : 0.05MPa - 0.75MPa
 Hole : 1 Hole
 Finish : Nickel Chrome
 Material : Brass
 Flow Rate : >12L/min @0.3 Mpa.
 (Bath Side)

Parts description

- **TTWR103K**
Stop Valve

Drawing:



Remarks:

Please result TOTO sales representative for detail.