

Item number: TTUE601AC3E SENSOR FLUSH VALVES



Features

- Automatic flushing : hands-free and hygiene
- The sensor is encased in heavy-duty glass, to protect from vandalism
- Water saving

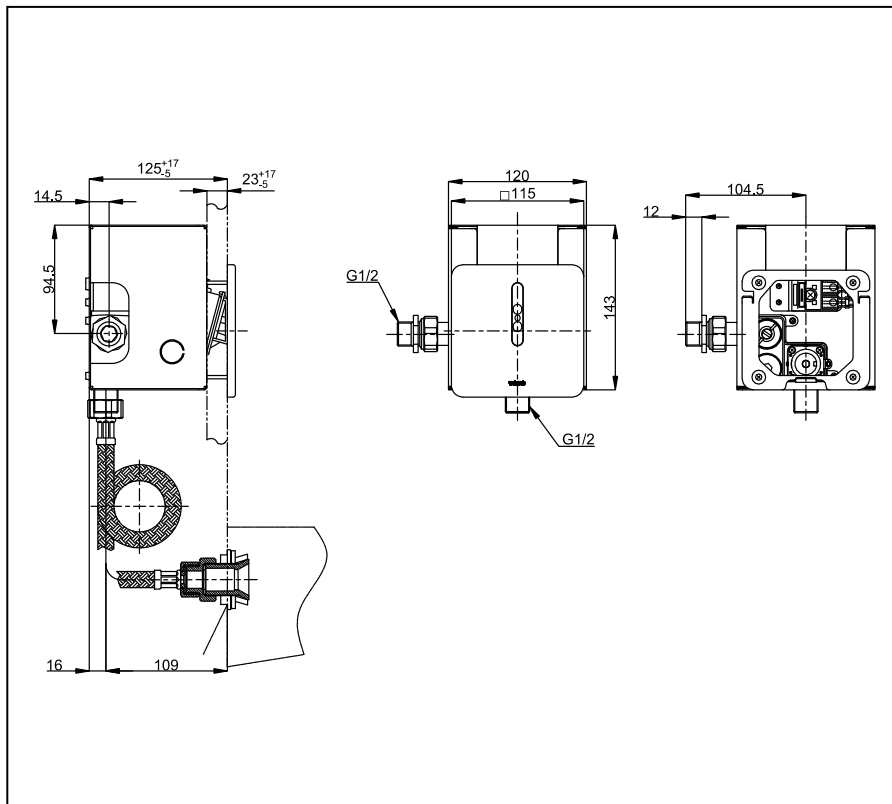
Specifications

Water Pressure : 0.07MPa - 0.75MPa

Flush Volume : 0.5 L



Drawing:



Parts description

● TTUE601AC3E

Concealed Urinal Sensor Flush Valve
(AC220V) for Back Inlet

Remarks:

Please consult TOTO sales representative for detail.