

## Item number: TTUE601AC3 SENSOR FLUSH VALVES



### Features



### Specifications

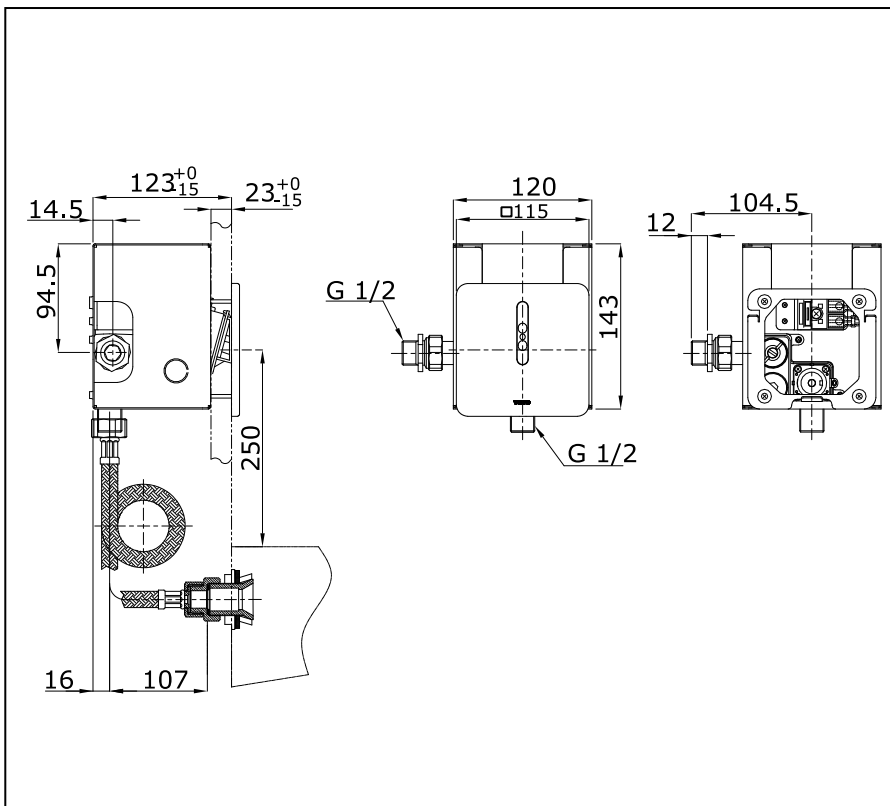
Water Pressure	: 0.05MPa - 0.75MPa
Finish	: Nickel Chrome
Material	: Brass
Water Volume	: 1.1 - 1.9 L/Time @ 0.1 - 0.75 MPa

### Parts description

- TTUE601AC3

Concealed Urinal Sensor Flush Valve  
(AC220V) for Back Inlet

### Drawing:



### Remarks:

Please result TOTO sales representative for detail.