

Item number: TTUE601AC2E SENSOR FLUSH VALVES



Features

- Automatic flushing : hands-free and hygiene
- The sensor is encased in heavy-duty glass, to protect from vandalism
- Water saving

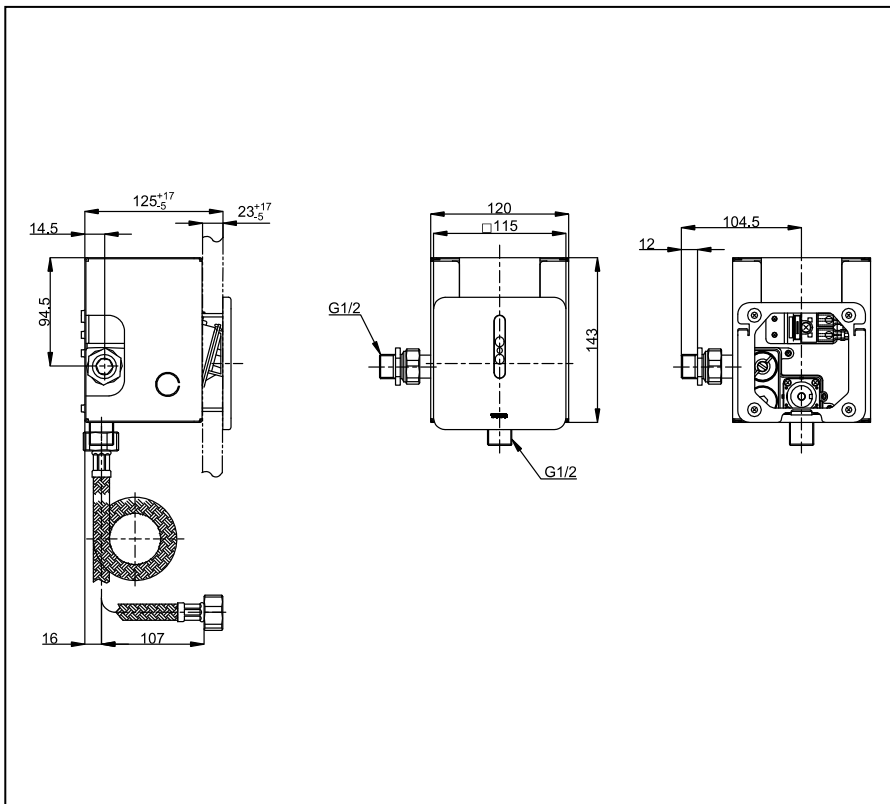
Specifications

Water Pressure : 0.07MPa - 0.75MPa

Flush Volume : 0.5 L



Drawing:



Parts description

● TTUE601AC2E

Concealed Urinal Sensor Flush Valve (AC220V) for Back Inlet

Remarks:

Please result TOTO sales representative for detail.