

Item number: **TTSH101ECFK** HAND SHOWER



Features

-
-
-

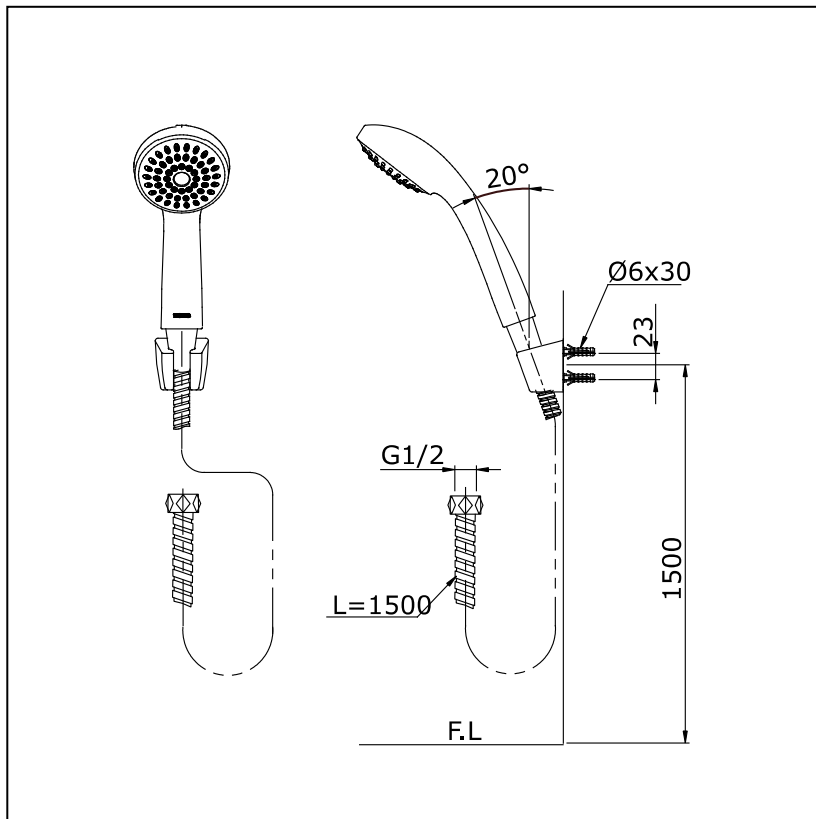
Specifications

Water Pressure : 0.05MPa -0.75MPa
 Finish : Nickel Chrome
 Material : Plastic
 Flow Rate/ : <8.0L/min @0.1MPa.
 Water usage

Parts description

- **TTSH101ECFK**
Hand Shower

Drawing:



Remarks:

Please result TOTO sales representative for detail.