

Item number: **TTLR303FK-1 RUFICE Series**



Features

- New design of modern elegance
- Durable finishes
- Smooth operation with lever type

Specifications

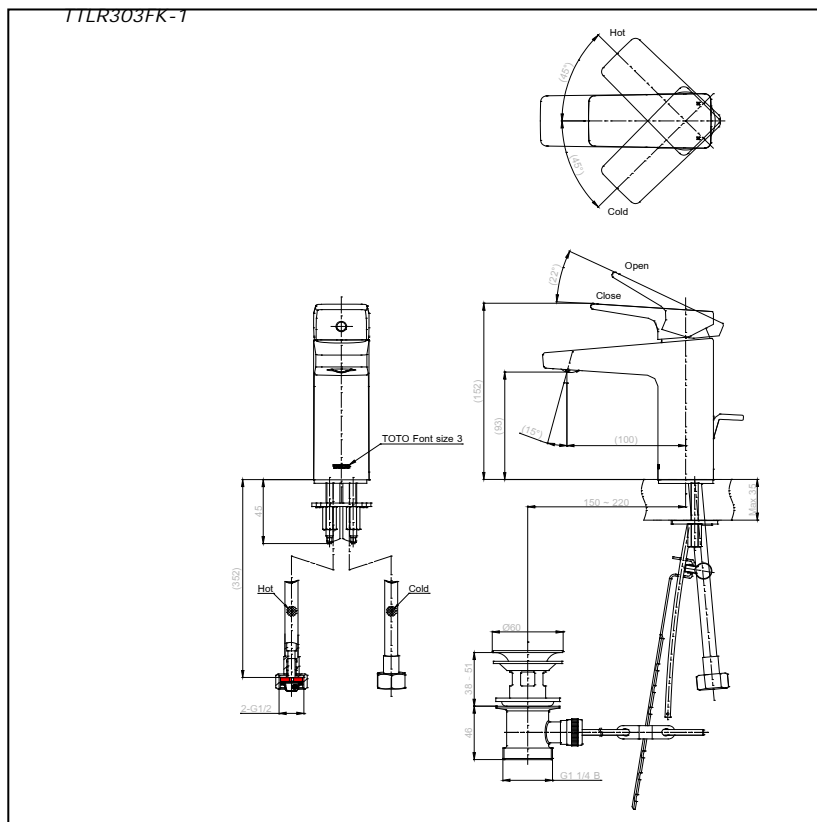
Water Pressure : 0.05MPa -0.75MPa
 Hole : 1 Hole
 Finish : Nickel Chrome
 Material : Brass
 Flow Rate/ : <6L/min @0.1MPa.
 Water usage

Parts description

- **TTLR303FK-1**

Single Lever Lavatory Faucet with Pop-Up Waste

Drawing:



Remarks:

Please result TOTO sales representative for detail.

TOTO (THAILAND) CO.,LTD

Bangkok Office : G Tower Grand Rama 9,12th Floor, South Wing, 9 Rama IX Road,Huaykwang Sub-district,Huaykwang District, Bangkok. 10310 Thailand
 Tel : +(66)2-117-9520(AUTO) Fax : +(66)2-117-9527
 th.toto.com