

Rei-S Series
Single Lever Lavatory Faucet
with Pop-Up Waste

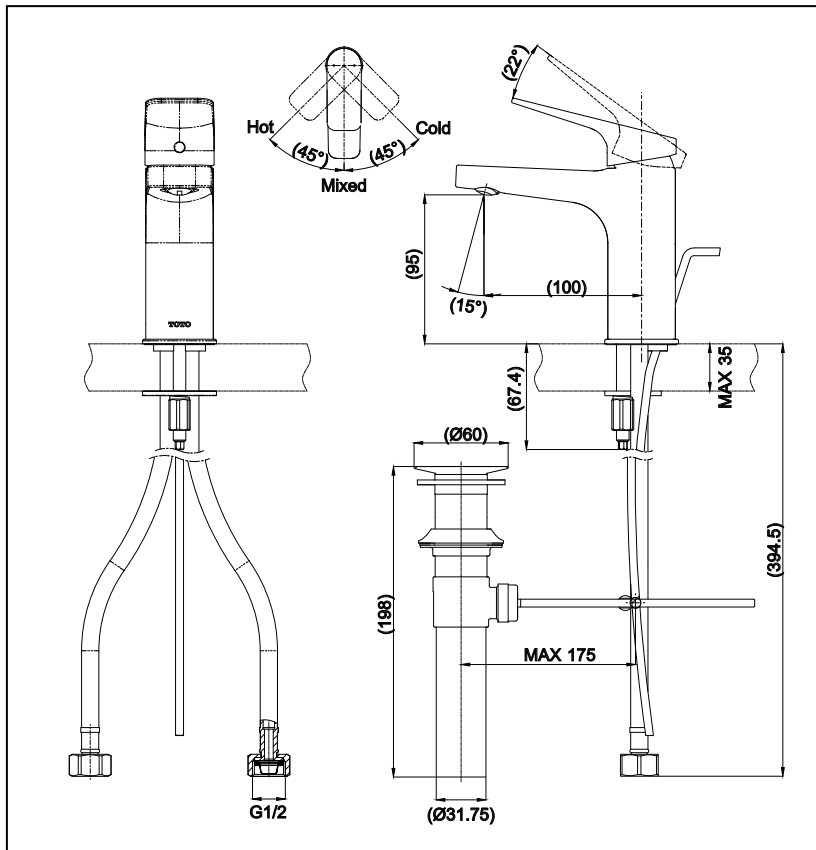


Features

- Sharp-lined smart design exclusively for REI-Square series
- Durable finishes

Specifications

Water Pressure	: 0.05MPa - 0.75MPa
Hole	: 1 Hole
Finish	: Nickel Chrome
Material	: Brass



Parts description

- **TTLR302FK-1R**
Single Lever Lavatory Faucet
with Pop-Up Waste

Remarks:

Please result TOTO sales representative for detail.