

Item number: **TTLR202FK-1**     **REI-S Series**



## Features

- Sharp-lined smart design exclusively for REI- Square series
- Durable finishes

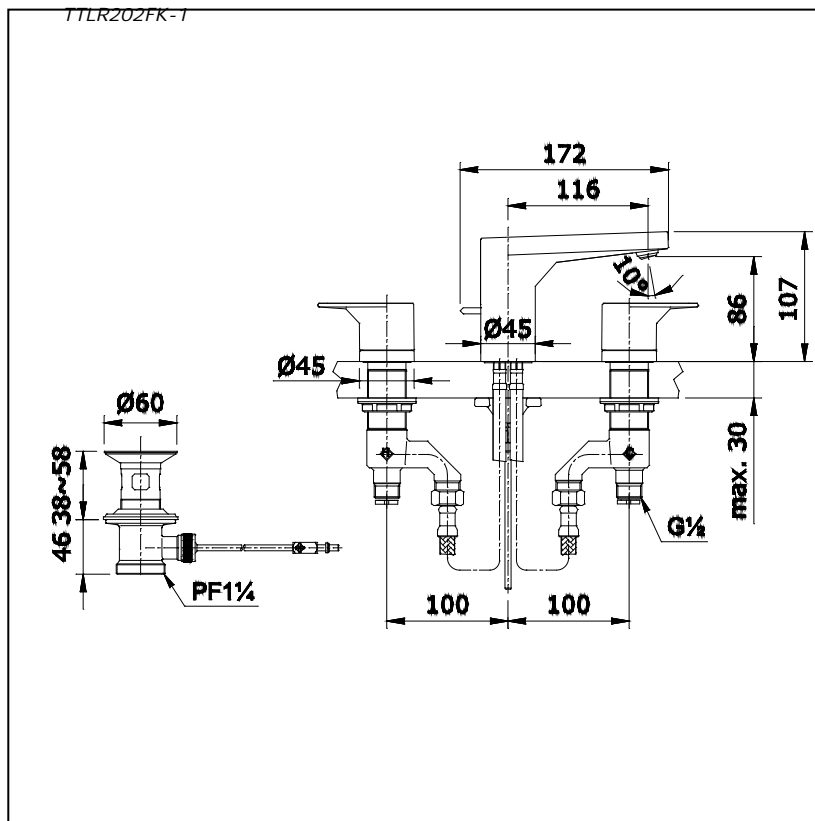
## Specifications

Water Pressure : 0.05MPa -0.75MPa  
 Hole : 3 Holes  
 Finish : Nickel Chrome  
 Material : Brass  
 Flow Rate/ : <6L/min @0.1MPa.  
 Water usage

## Parts description

- **TTLR202FK-1**  
 8" Lavatory Faucet with  
 Pop-Up Waste

## Drawing:



### Remarks:

*Please result TOTO sales representative for detail.*