

RUFICE
Single Lever Lavatory Faucet
(w/o Pop-up Waste)

TTLR105FVKR



Features

- New design of modern elegance
- Durable finishes
- Smooth operation with lever type

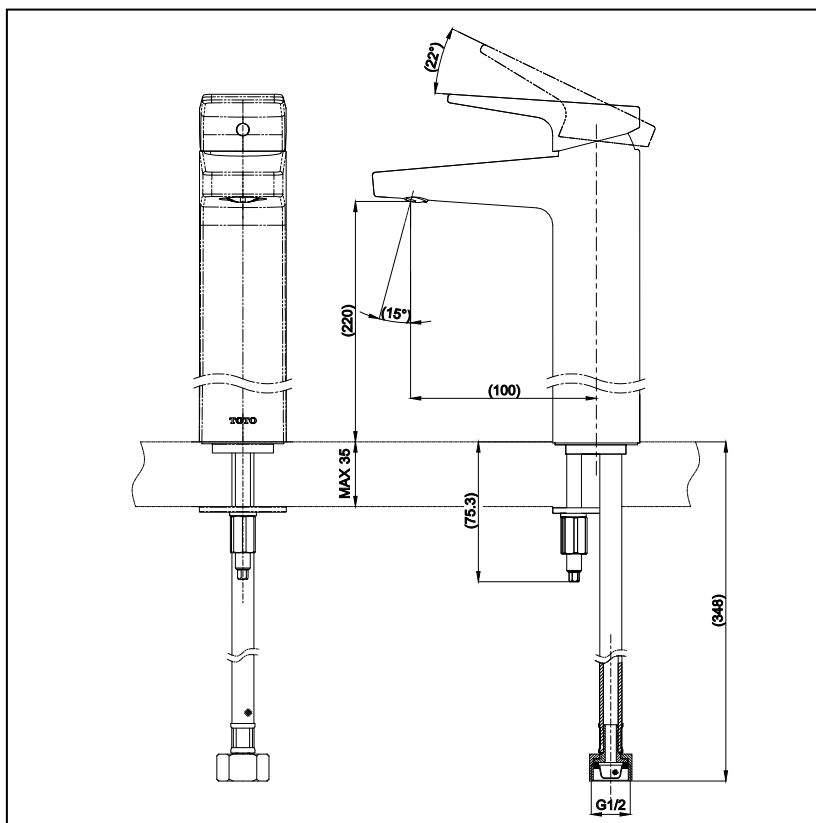
Specifications

Water Pressure	: 0.05MPa - 0.75MPa
Hole	: 1 Hole
Finish	: Nickel Chrome
Material	: Brass

Parts description

● TTLR105FVKR

Extended Single Lever Lavatory
Faucet without Pop-Up Waste
(Cold Water)



Remarks:

Please consult TOTO sales representative
for detail.