

Item number: **TTLR105FVK**

RUFICE Series



Features

- New design of modern elegance
- Durable finishes
- Smooth operation with lever type

Specifications

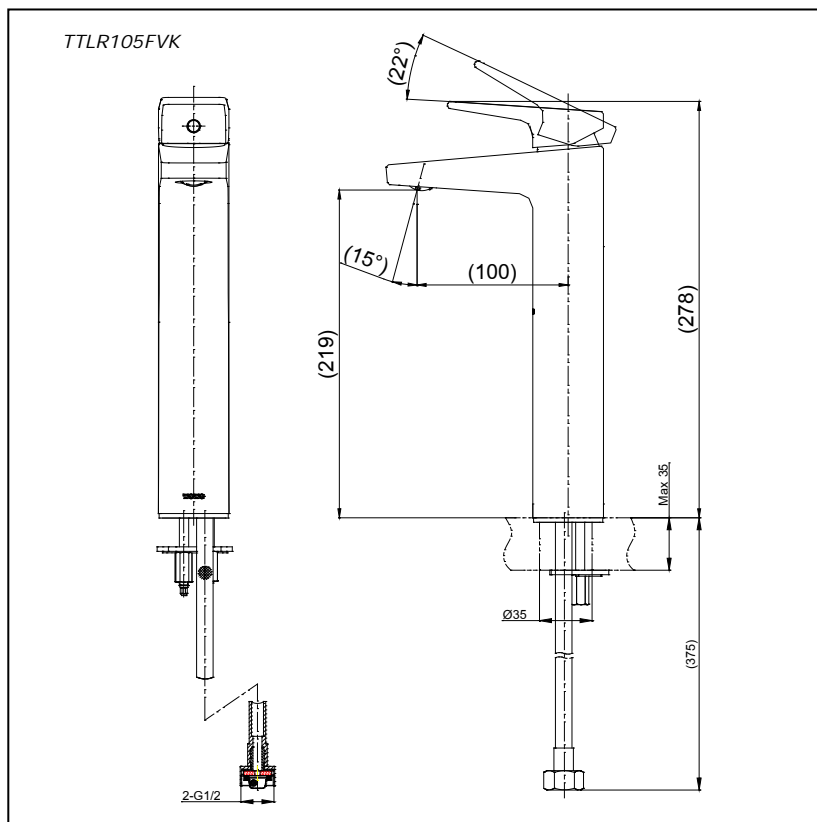
Water Pressure : 0.05MPa -0.75MPa
 Hole : 1 Hole
 Finish : Nickel Chrome
 Material : Brass
 Flow Rate/ : <6L/min @0.1MPa.
 Water usage

Parts description

- **TTLR105FVK**

Extended Single Lever Lavatory
 Faucet without Pop-Up Waste
 (Cold Water)

Drawing:



Remarks:

Please result TOTO sales representative for detail.