

Rei-S Series
 Extended Single Lever Lavatory Faucet
 w/o Pop-Up Waste
 (Cold Water)



Features

- Sharp-lined smart design exclusively for REI - Square series
- Durable finishes

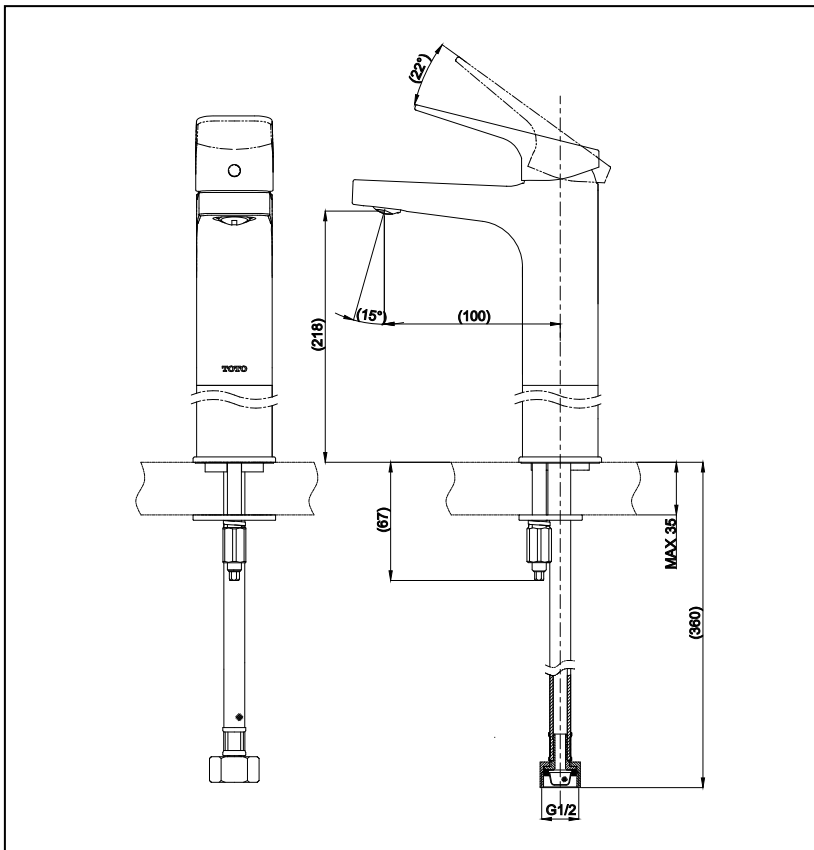
Specifications

Water Pressure : 0.05MPa - 0.75MPa
 Hole : 1 Hole
 Finish : Nickel Chrome
 Material : Brass

Parts description

● **TTLR104FVKR**

Extended Single Lever Lavatory Faucet
 without Pop-Up Waste
 (Cold Water)



Remarks:

Please result TOTO sales representative for detail.