

Item number: **TTLR104FVK**

REI-S Series



Features

- Sharp-lined smart design exclusively for REI- Square series
- Durable finishes

Specifications

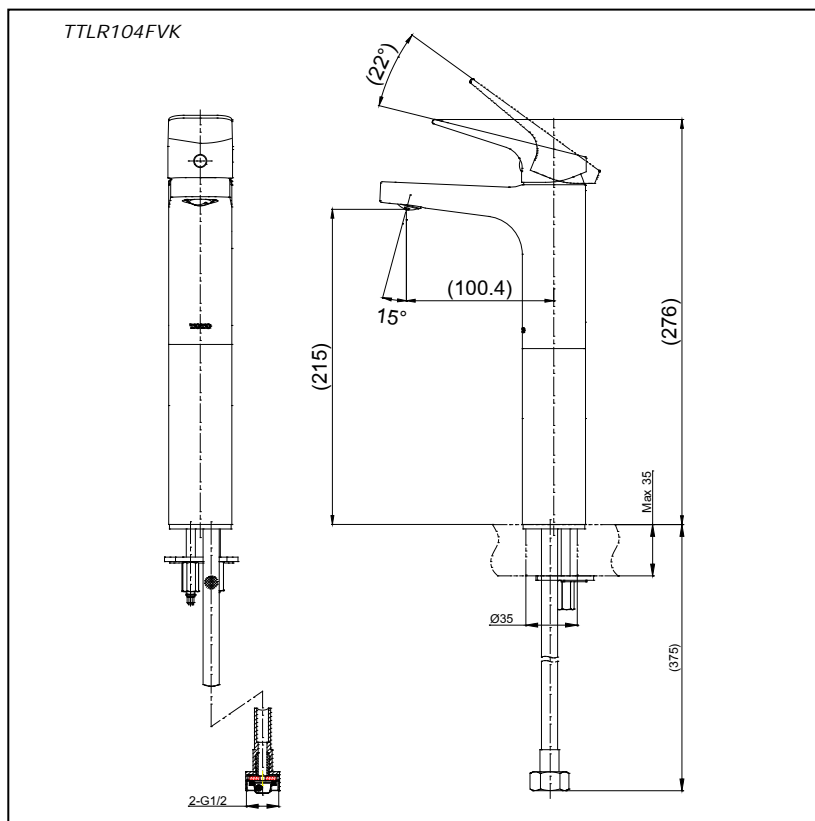
Water Pressure : 0.05MPa -0.75MPa
 Hole : 1 Hole
 Finish : Nickel Chrome
 Material : Brass
 Flow Rate/ : <6L/min @0.1MPa.
 Water usage

Parts description

- **TTLR104FVK**

Extended Single Lever Lavatory Faucet with Pop-Up Waste
 (Cold Water)

Drawing:



Remarks:

Please result TOTO sales representative for detail.