

Item number: **TTLR103FVK**      **REI-R Series**



## Features

- Sharp-lined smart design exclusively for REI- Round series
- Durable finishes

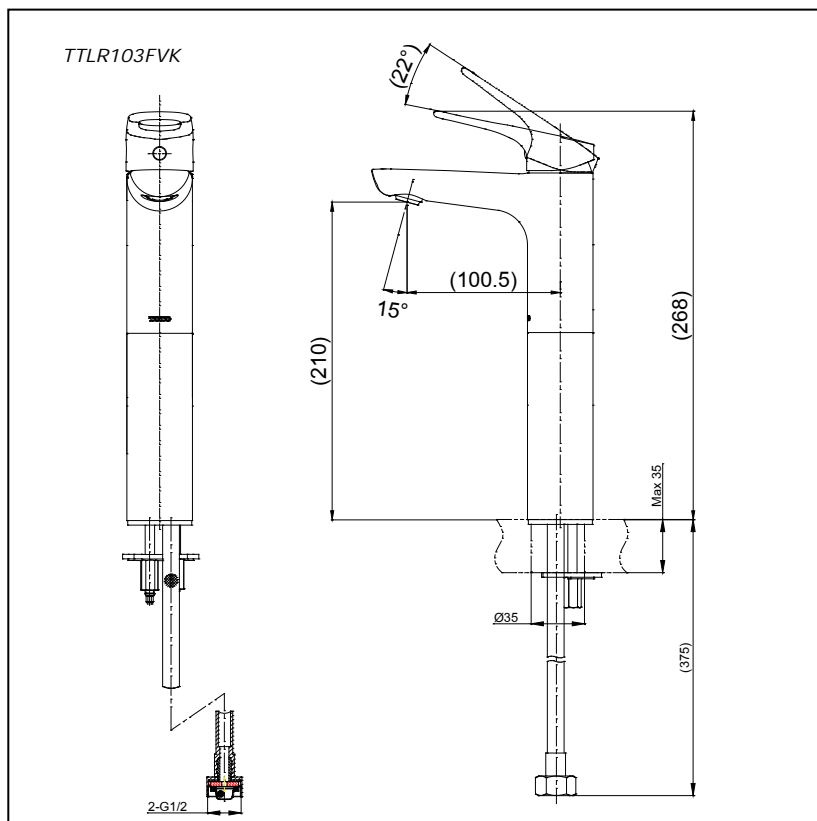
## Specifications

Water Pressure : 0.05MPa -0.75MPa  
 Hole : 1 Hole  
 Finish : Nickel Chrome  
 Material : Brass  
 Flow Rate/ : <6L/min @0.1MPa.  
 Water usage

## Parts description

- **TTLR103FVK**  
 Extended Single Lever Lavatory Faucet with Pop-Up Waste  
 (Cold Water)

## Drawing:



## Remarks:

Please result TOTO sales representative for detail.