

Item number: **TTLC301FVK-1** CRES Series



## Features



## Specifications

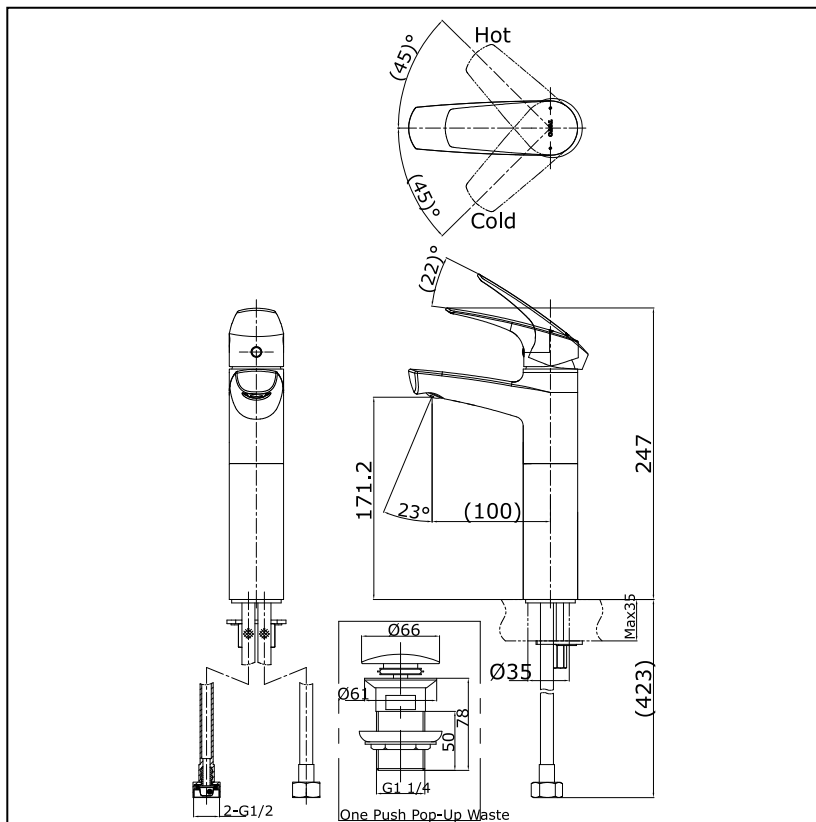
Water Pressure : 0.05MPa -0.75MPa  
 Hole : 1 Hole  
 Finish : Nickel Chrome  
 Material : Brass  
 Flow Rate/ : <6L/min @0.1MPa.  
 Water usage

## Parts description

- **TTLC301FVK-1**

Extened Single Lever Lavatory Faucet without Pop-Up Waste

## Drawing:



## Remarks:

Please result TOTO sales representative for detail.