

Item number: **TTL101FVK** CRES Series



Features

- Sharp-lined smart design exclusively for CRES series
- Durable finishes
- Smooth operation with lever type

Specifications

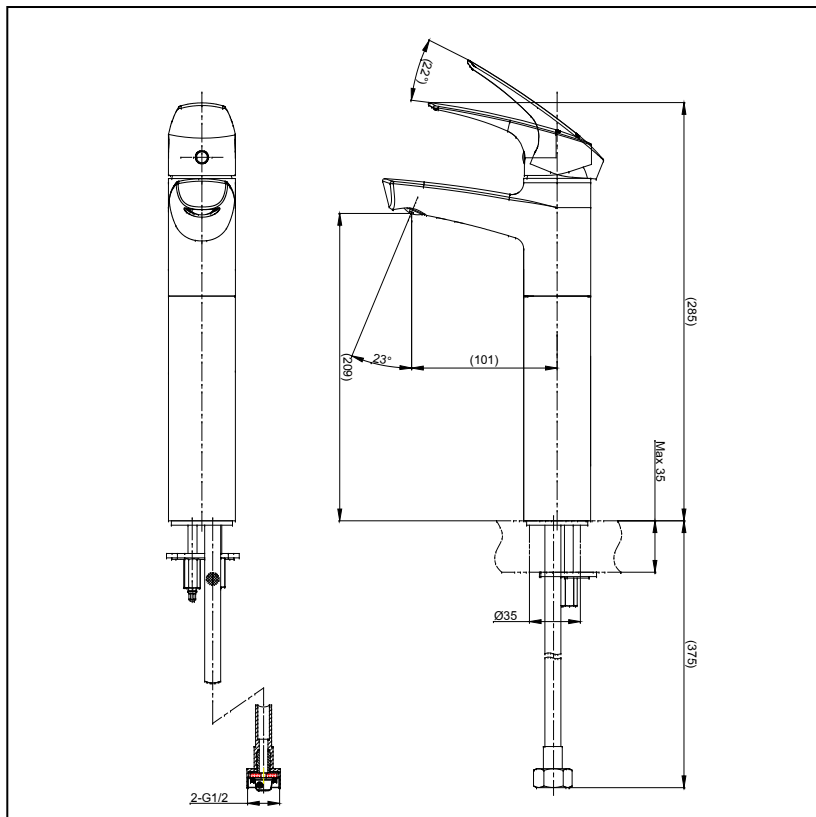
Water Pressure : 0.05MPa - 0.75MPa
 Hole : 1 Hole
 Finish : Nickel Chrome
 Material : Brass
 Flow Rate/ : <6L/min @0.1MPa.
 Water usage

Parts description

- **TTL101FVK**

Extended Single Lever Lavatory Faucet without Pop-Up Waste (Cold Water)

Drawing:



Remarks:

Please result TOTO sales representative for detail.