



Features

- Sharp-lined smart design exclusively for CRES series
- Durable finishes
- Smooth operation with lever type

Specifications

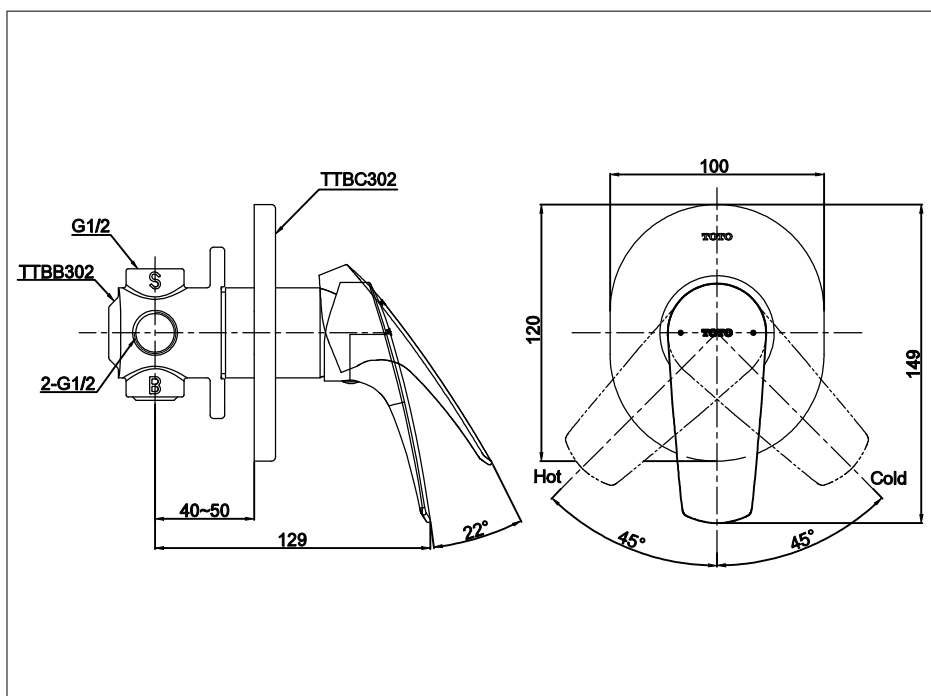
Water Pressure : 0.05MPa~0.75MPa

Finish : Nickel Chrome

Material : Brass

Parts Description

- **TTBC302KR**
Single Lever Shower Mixer



Please consult a TOTO representative for details