

Item number: TS403P(HM) MANUAL FLUSH VALVES



Features



Specifications

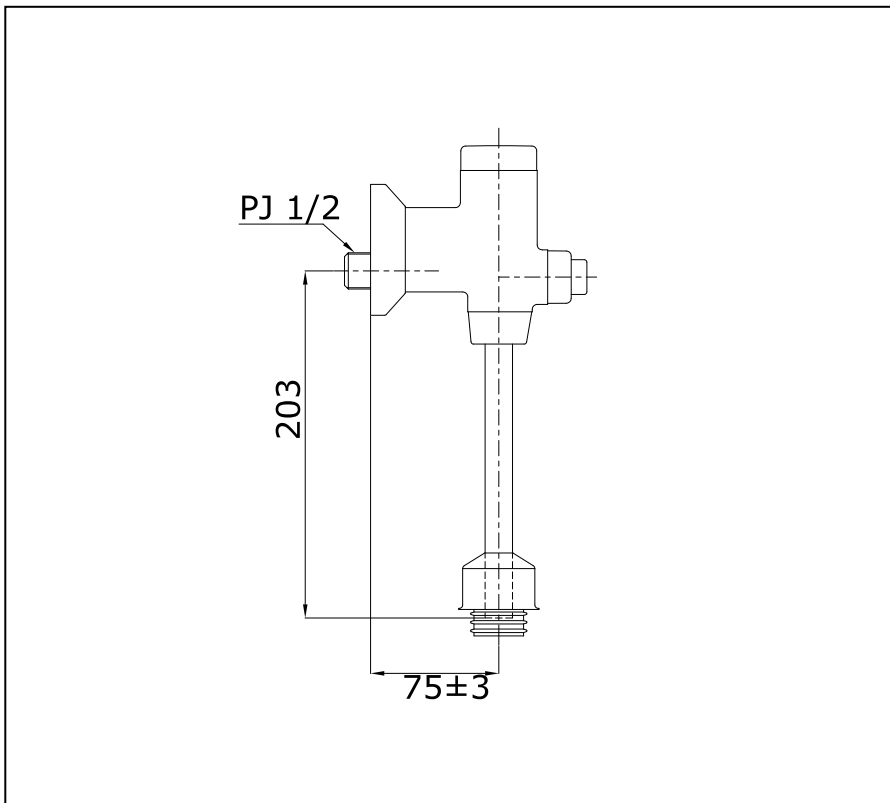
Water Pressure : 0.05MPa - 0.40MPa
Finish : Nickel Chrome
Material : Brass

Parts description

- TS403P(HM)

Urinal Flush Valve with Straight Pipe
(Installation Distance : 75 mm)

Drawing:



Remarks:

Please result TOTO sales representative for detail.