

Item number: TS401NS MANUAL FLUSH VALVES



Features



Specifications

Water Pressure : 0.05MPa - 0.40MPa

Finish : Nickel Chrome

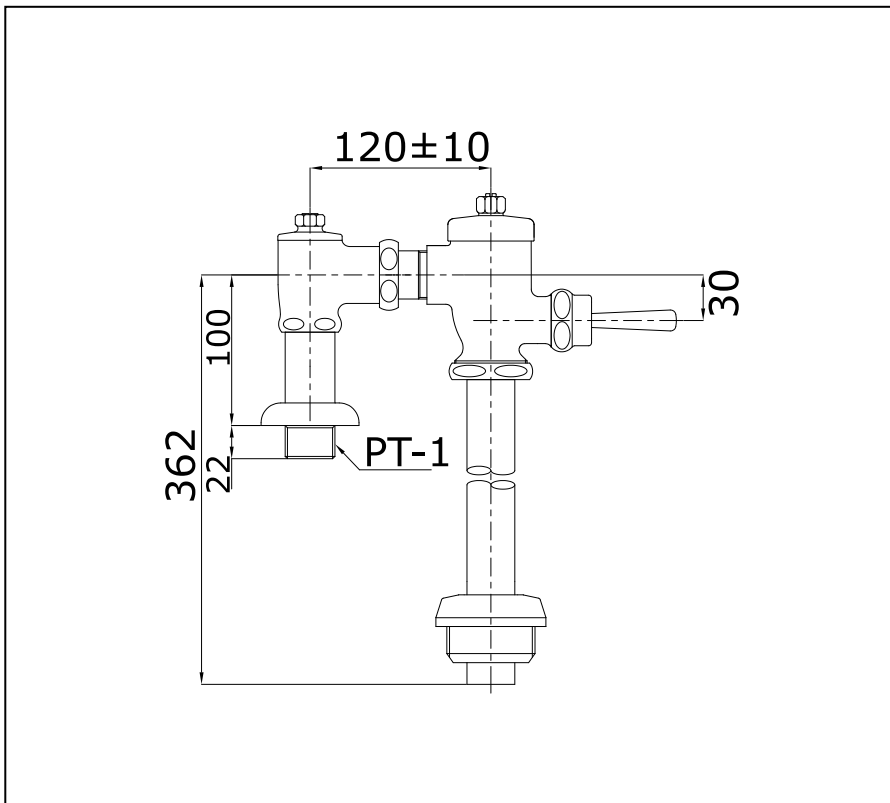
Material : Brass

Parts description

- TS401NS

Toilet Flush Valve with Straight Pipe

Drawing:



Remarks:

Please result TOTO sales representative for detail.