

Item number: **TS236A** **WILLOW Series**



Features



Specifications

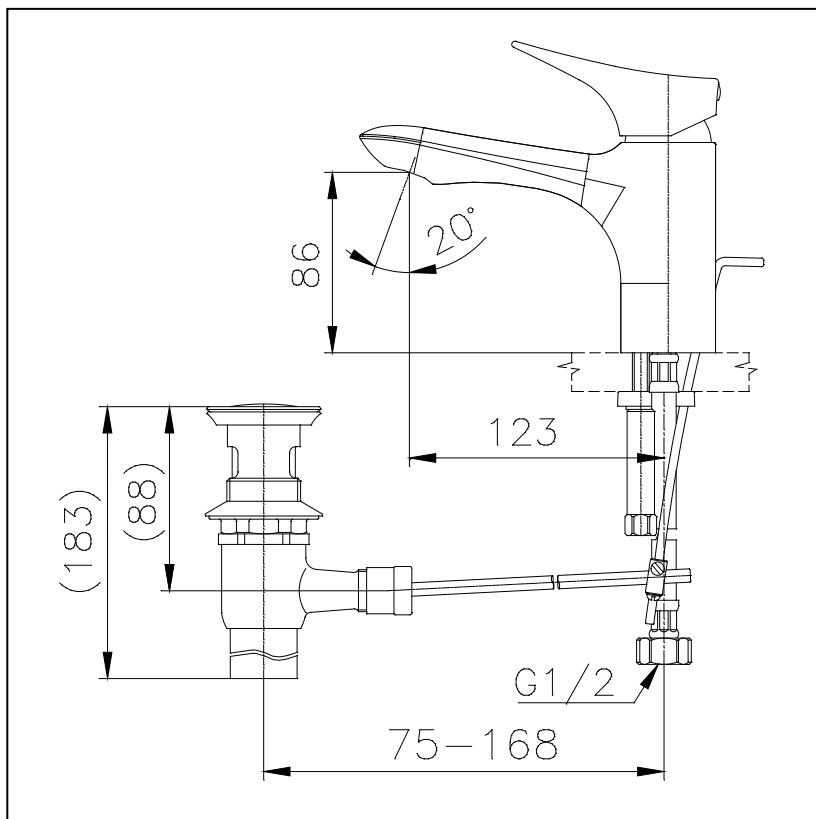
Water Pressure : 0.05MPa - 0.75MPa
 Hole : 1 Hole
 Finish : Nickel Chrome
 Material : Brass
 Flow Rate/ : <6L/min @0.1MPa.
 Water usage

Parts description

- **TS236A**

Single Lever Lavatory Faucet with
 Pop-Up Waste

Drawing:



Remarks:

Please result TOTO sales representative
 for detail.