

GA Series
Bidet Faucet
(w/ Pop-up waste)



Features

- Design Concept is Gorgeous and Advance

Specifications

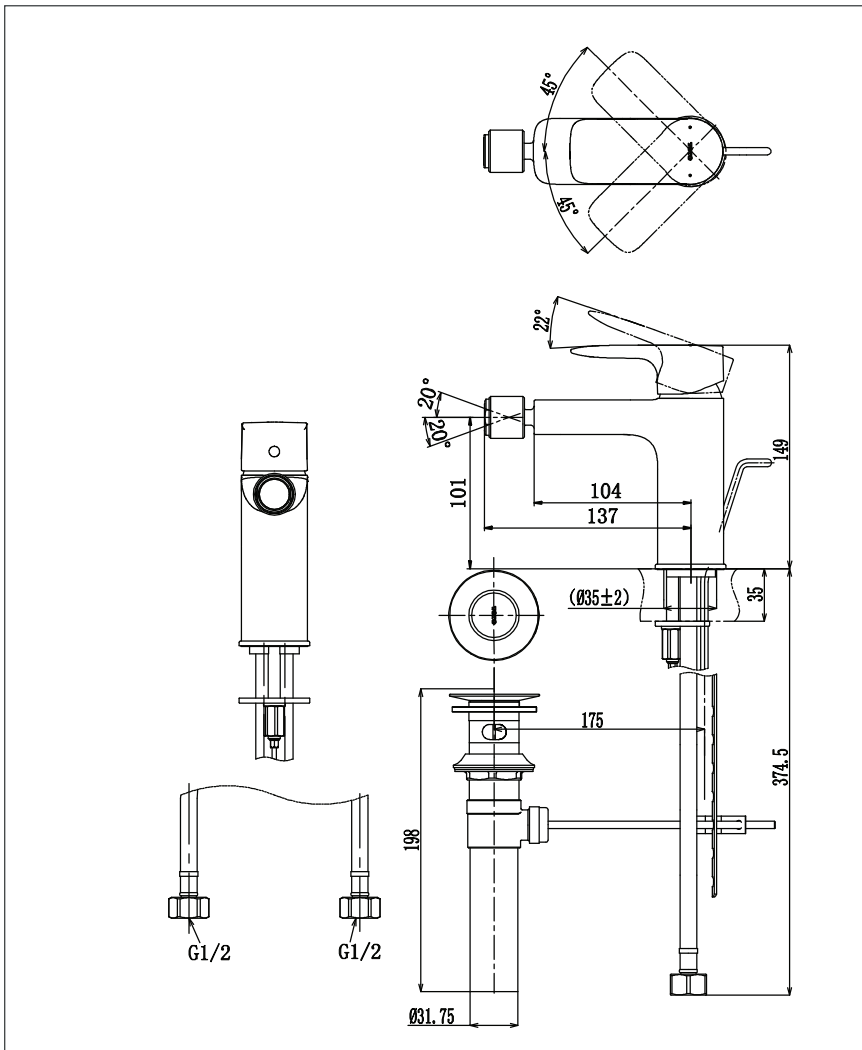
Finish : Chrome

Material : Brass

Water Pressure : 0.05 ~ 1.0 Mpa

Parts Description

- **TRG04301T**
Bidet Faucet
(w/ Pop-up waste)



Please consult a TOTO representative for details

Flow Rate

