



Features

- Hands-free usage increases hygiene
- Sensor positioned underneath the spout head for more accurate user detection
- ECOPOWER Technology
Self-generated power saves electricity
- WATER SAVING
- SOFT FLOW Technology:
Translucent streams of water touch the skin gently provides a soft, lustrous and enriching experience with minimal splashing.

Specifications

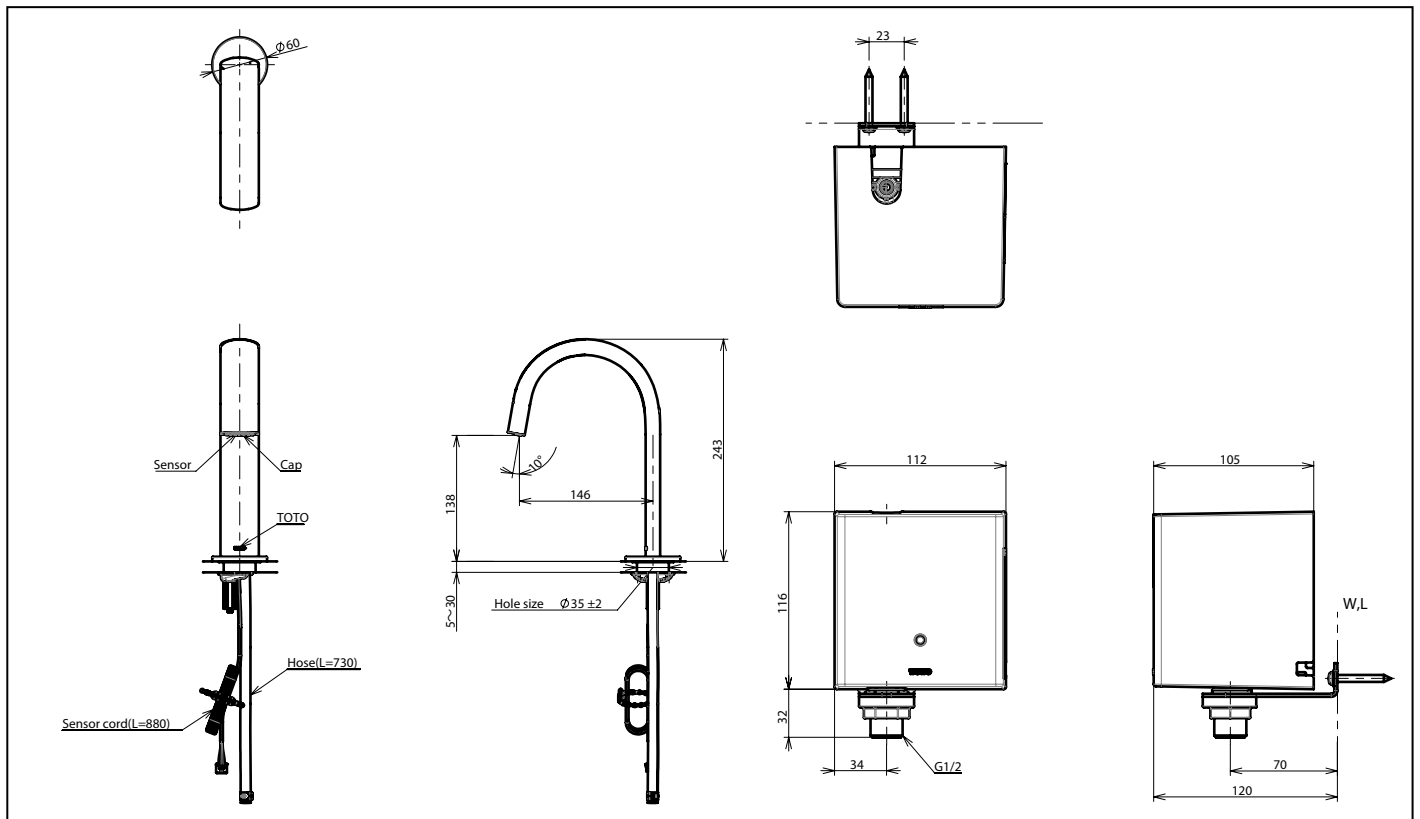
Flow Rate: 1.3L/min
 Water Pressure: 0.05MPa ~ 0.75MPa
 Finish: Nickel Chrome

Parts description

TLE24001T-EC

(ECOPOWER)

1. TLE24001* (Deck-mounted)
2. TLE03501T (ECOPOWER Controller)



Remarks: Please result TOTO sales representative for detail.