



Features

- Hands-free usage increases hygiene
- Sensor positioned underneath the spout head for more accurate user detection
- WATER SAVING
- SOFT FLOW Technology: Translucent streams of water touch the skin gently provides a soft, lustrous and enriching experience with minimal splashing.

Specifications

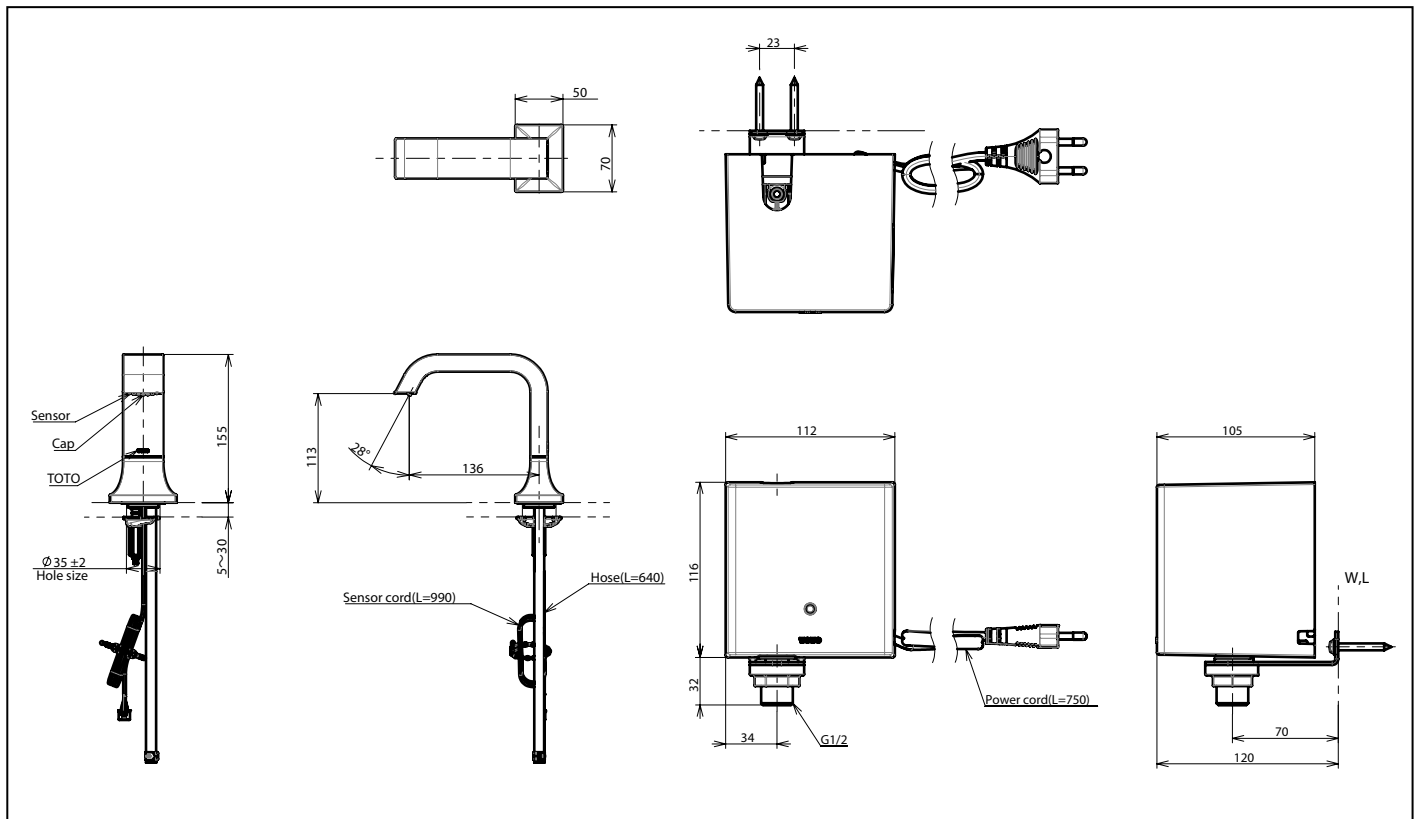
Flow Rate: 1.3L/min
 Water Pressure: 0.05MPa ~ 0.75MPa
 Finish: Nickel Chrome

Parts description

TLE21001T-AC

(AC220~240V)

1. TLE21001* (Deck-mounted)
2. TLE01501T (AC Operated Controller)



Remarks: Please result TOTO sales representative for detail.