



Features

- Fully equipped with comfortable rear, front, and oscillating cleansing functions
- Adjustable WARM AIR DRYING
- Auto powerful DEODORIZER activates after every usage
- Soft closing seat and cover
- HEATED SEAT with temperature control
- PREMIST water is sprayed inside the toilet bowl to make it difficult for dirt to adhere
- Easy remove for cleaning
- Energy-saving function

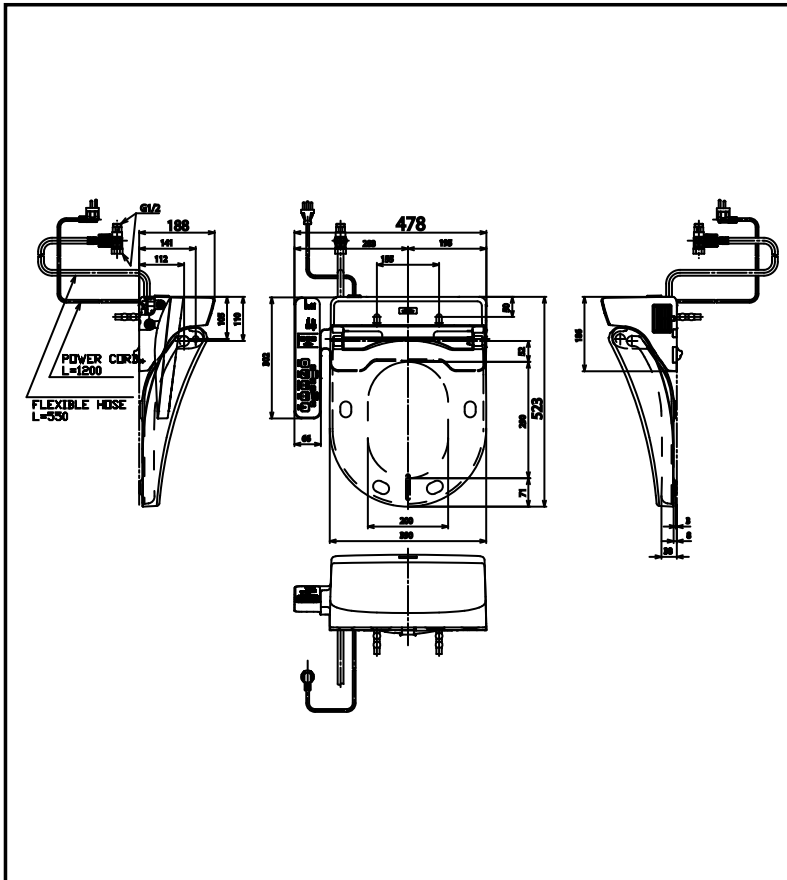
Specifications

- Bowl Shape : D-Shape
- Water Pressure : 0.05Mpa~0.75Mpa
- Power Rating : 220~240V , 50/60Hz , 262~307W
- Length of Power Cord : 1.2 m

Colors

White

Please consult a TOTO representative for details



Caution: WASHLET™ may not fit certain toilet bowl design.
Please check the compatibility of WASHLET™ and your toilet bowl prior purchase.