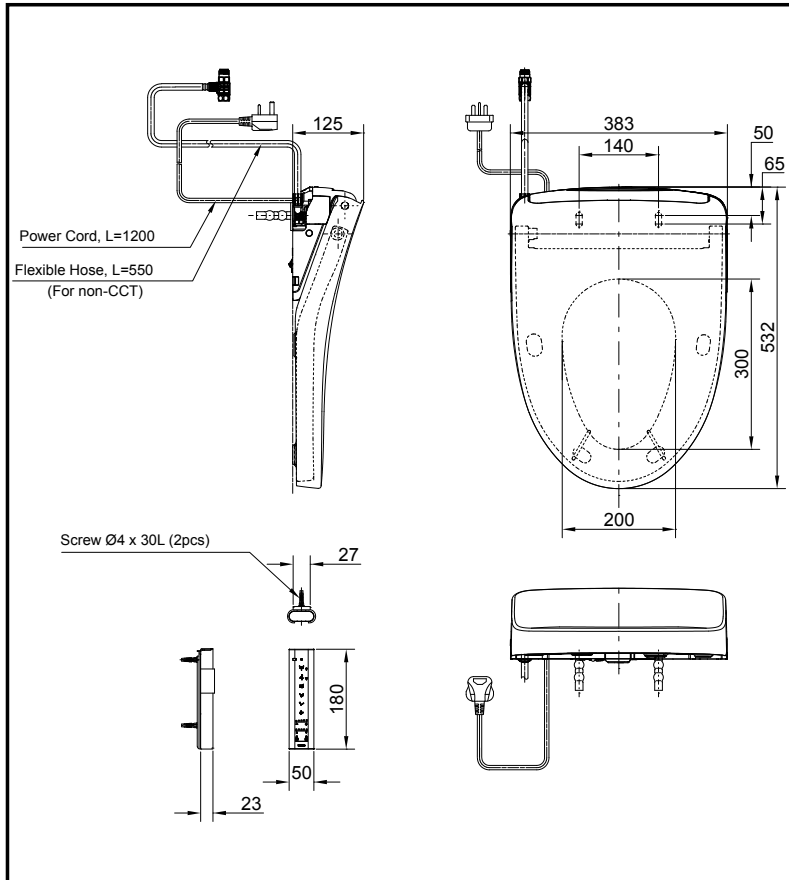




Features

- EWATER+ spreads out and keeps clean toilet bowl and nozzle by preventing bacterial with sanitizing effect
- AUTO OPEN/CLOSE LID
- Maximized comfort function with new wide front and pulsating cleansing
- Fully equipped with comfortable rear, front and oscillating cleansing functions
- Build-in with Motion Sensor - Microwave technology.
- Infrared Sensor for remote control capabilities
- Adjustable WARM AIR DRYING
- HEATED SEAT with temperature control
- Auto powerful DEODORIZER activates after every usage

EWATER+ is made from tap water by electrolyzed chloride ion without any chemicals. After use, it returns to normal water in the state of safe and environmental friendly



Specifications

| | |
|----------------------|------------------------------------|
| Bowl Shape | : Elongated |
| Water Pressure | : 0.05Mpa~0.75Mpa |
| Power Rating | : 220~240V , 50/60Hz , 830~839W |
| Length of Power Cord | : 1.2 m |
| Material | : Plastic |

Please consult a TOTO representative for details

Caution: WASHLET™ may not fit certain toilet bowl design.
Please check the compatibility of WASHLET™ and your toilet bowl prior purchase.