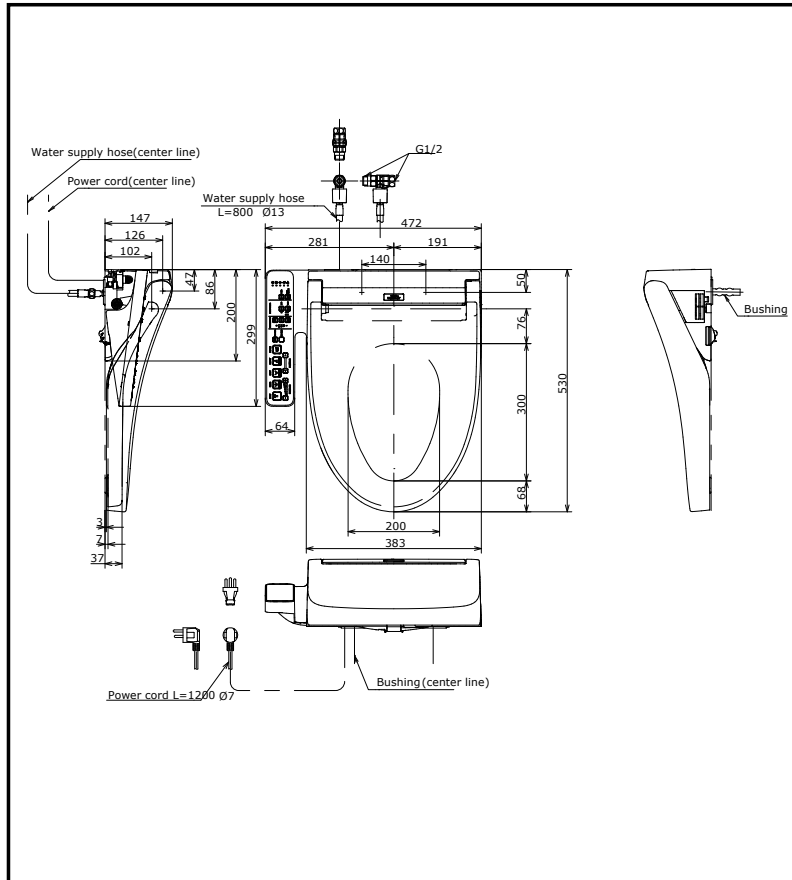




Features

- Gentle Aerated, Warm Water, Dual Action Spray with oscillating feature
- Adjustable water temperature and volume
- Adjustable WARM AIR DRYING temperature settings
- Automatic DEODORIZER
- Docking station for easy cleaning and installation
- HEATED SEAT with temperature control
- EWATER+® auto-cleans wand
- Water PREMIST® of bowl before each use



Specifications

- Bowl Shape** : Elongated
- Water Pressure** : 0.05Mpa~0.75Mpa
- Power Rating** : 220~240V , 50/60Hz , 306~361 W
- Length of Power Cord** : 1.2 m

Please consult a TOTO representative for details

Caution: WASHLET™ may not fit certain toilet bowl design.
Please check the compatibility of WASHLET™ and your toilet bowl prior purchase.