

## Push Plate

**MB174P#WH**  
**MB174P#SS**

MB174P#WH



MB174P#SS



### Features

- Dual Flush System

### Specifications

Size : 243W x 10D x 159H mm  
Material : ABS

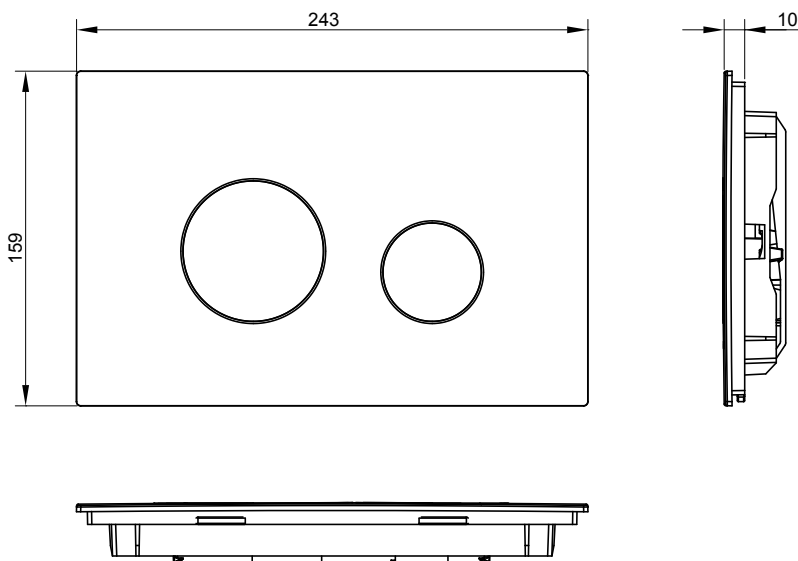
### Parts description

- **MB174P#WH**  
White
- **MB174P#SS**  
Silver Matt

#### Optional Parts

- WH172A  
Concealed Tank
- WH171A  
Concealed Tank
- WH063  
Concealed Tank w/ Frame
- WH053  
Concealed Tank w/ Frame
- WH060  
Concealed Tank w/o Frame
- WH050  
Concealed Tank w/o Frame

MB174P#WH / MB174P#SS



Please consult a TOTO representative for details