

TOTO

ACCESSORIES

DST71
DST71# PG

Fitting Accessories



Product Features

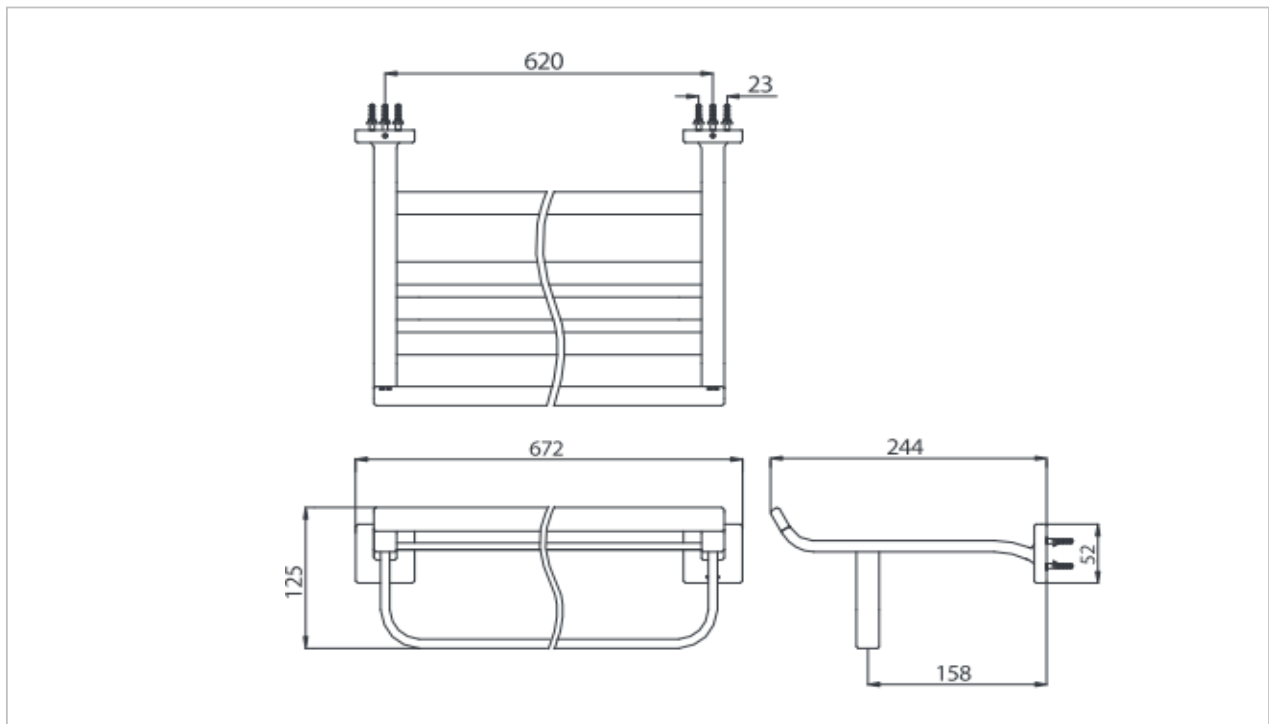
Towel Bar

Size : 672 x 244 x 125 mm

Ref.

DSH71#PG : Gold

DSH71 : Chrome



Suggestion Fittings & Parts

Remark : We reserve the right to change some parts for suitability.

TOTO (THAILAND) CO.,LTD

Bangkok Office : 598 Q House Ploenjit Building., G floor., Ploenchit Rd., Lumpini, Pathumwan, Bangkok. 10330 Thailand

Tel : +(66)2-650-9925(AUTO) Fax : +(66)2-650-9923-4

www.toto.co.th