

TOTO

ACCESSORIES

**DSP71N
DSP71N# PG**

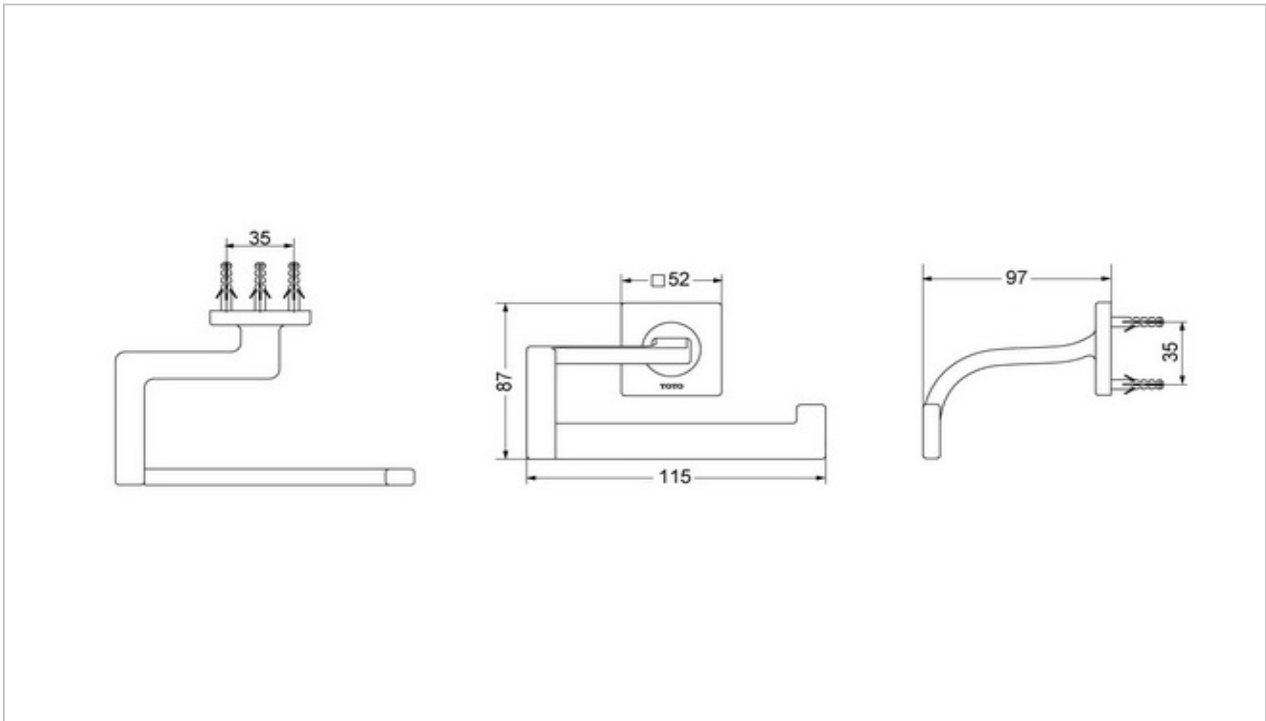
Fitting Accessories



Product Features

Paper Holder
Size : 115 x 97 x 87 mm

Ref.
DSP71N#PG : Gold
DSP71N : Chrome



Suggestion Fittings & Parts

Remark : We reserve the right to change some parts for suitability.

TOTO (THAILAND) CO.,LTD

Bangkok Office : 598 Q House Ploenjit Building., G floor., Ploenchit Rd., Lumpini, Pathumwan, Bangkok. 10330 Thailand

Tel : +(66)2-650-9925(AUTO) Fax : +(66)2-650-9923-4

www.toto.co.th