

Wall Hung Toilet
(for Flush Valve)



Specifications

Flush System	: Siphon Jet 6 L
Rough-in	: 155 mm (P-Trap)
Bowl Shape	: Elongated
Size	: 385W x 622D x 334H mm

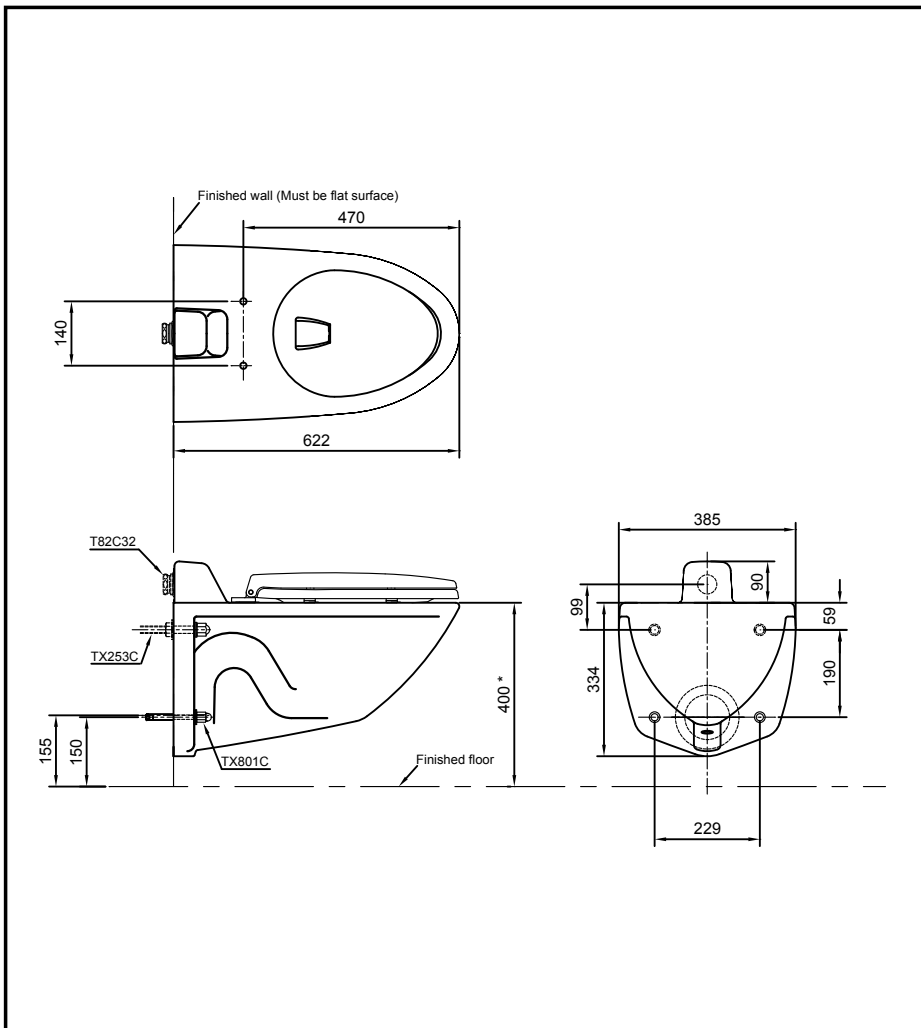
Parts description

- **CWT708HT**
Wall Hung Closet Bowl (Back Inlet)
- **TC365**
Soft close Seat & Cover

*without Toilet Flush Valve :
TSV406NL

Colors

White



Please consult a TOTO representative for details