

TOTO

Neorest LE I

Luxurious Integrated
Wall Hung Toilet

CW994P/ TCF994WA



TOTO
GREEN
CHALLENGE



Features

- Integrated appearance of luxury, stylish, elegant
- Tornado Flushing for powerful flushing effect with less amount of water
- Integral Washlet features front and rear warm water washing
- eWater⁺ spreads out and keeps clean toilet bowl and nozzle by preventing bacteria with sanitizing effect
- Automatic operation : Lid opens, closes and toilet flushes when sensor is activated
- Auto soft light function usable for night time usage.

eWater⁺ is made from tap water by electrolyzed chloride ion without any chemicals. After use, it returns to normal water in the state of safe and environmental friendly.

Specifications

Flush System : Tornado (Wash Down)

Water Use : 4.5/3L

Rough-in : H = 220mm

Power Rating : AC 220 ~ 240V : 50/60Hz

Length of Power Cord : 1.0m

Size : 424W x 679D x 460H mm

Parts Description

● CW994P
Water Closet Bowl

● TCF994WA
Washlet Unit

Optional Parts

○ WH036D
Concealed Cistern w/Frame

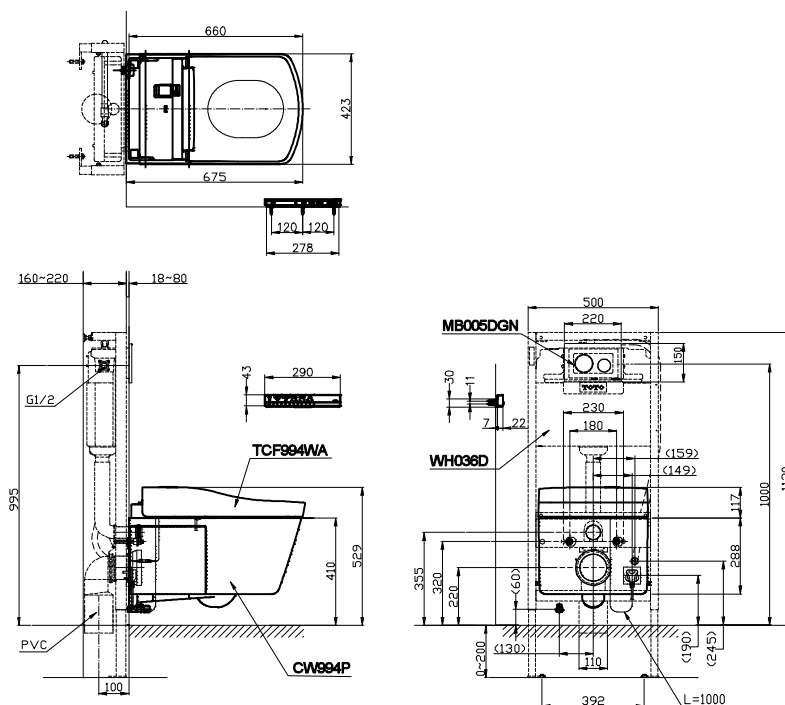
○ MB005DGN
Flush Panel

Colors

- White

Please consult a TOTO representative for details

CW994P/TCF994WA



() Recommended Dimension