

# TOTO

# TOILET

## CST734

### "DALTON E" Two Piece Toilet



#### Product Features

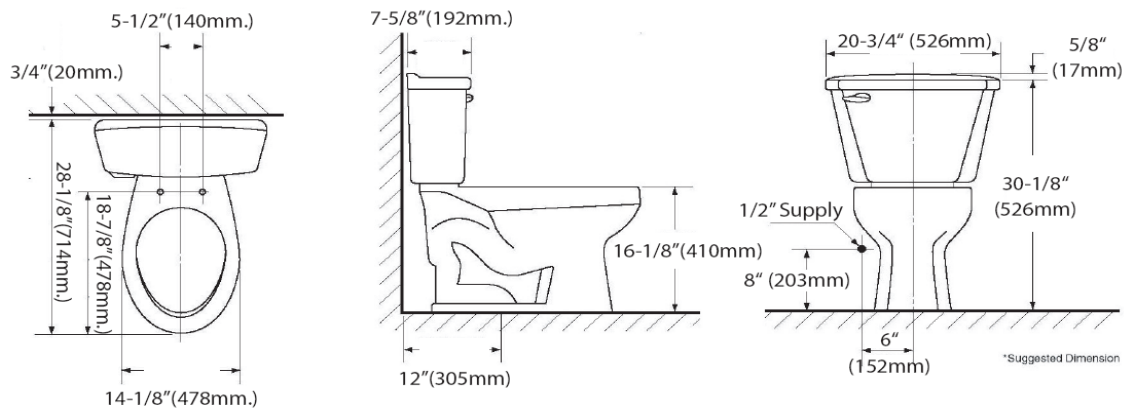
Flush System : Siphon-Jet(6L)

Bowl Shape : Elongated

Rough-in : 305 mm

**CST734(SA)** With Washlet SA

**CST734(W)** With Eco Washer



#### Suggestion Fittings & Parts

Remark : We reserve the right to change some parts for suitability.

TOTO (THAILAND) CO.,LTD

Bangkok Office : 598 Q House Ploenjit Building., G floor., Ploenchit Rd., Lumpini, Pathumwan, Bangkok. 10330 Thailand

Tel : +(66)2-650-9925(AUTO) Fax : +(66)2-650-9923-4

www.toto.co.th