

NEOREST AH1



eWater+ is made from tap water by electrolyzed chloride ion without any chemicals. After use, it returns to normal water in the state of safe and environmental friendly

Product Features

- Luxurious Toilet integrated with WASHLET unit
- Hybrid Ecology System
- water saving dual flush 3.8/ 3.0L (CES987PVA 4.8/ 3.4L)
- CeFiONtect prevents debris on toilet surface
- Fully equipped with comfortable rear, front, and oscillating cleansing functions
- Auto lid opening and closing function
- Auto soft light function usable for night time usage

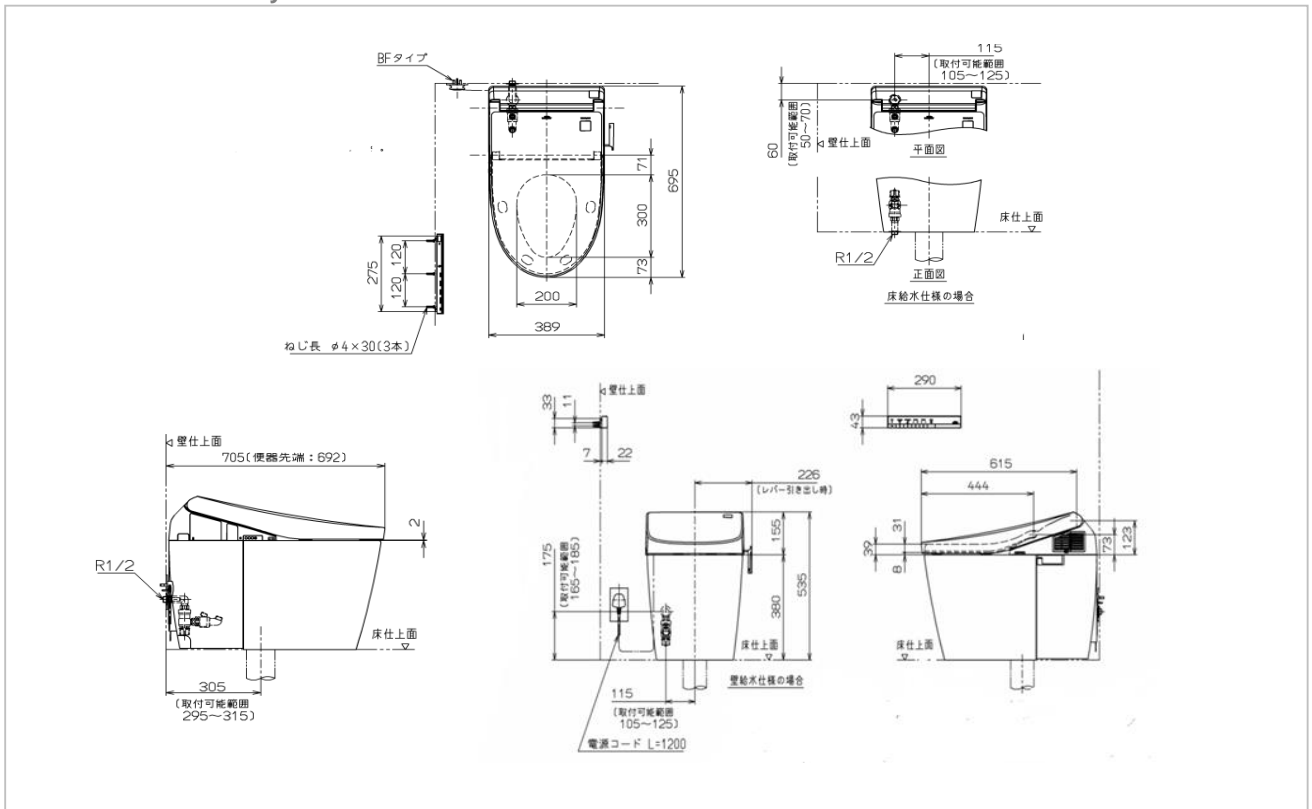
Flush System : Tornado Siphon Jet

Rough-in : 305 mm.

Water Pressure : 0.05Mpa~0.75Mpa

Size : 695Dx389Wx535H mm.

Seat&Cover : TCF9787WAX1



Suggestion Fittings & Parts

Remark : We reserve the right to change some parts for suitability.