

Item number: **CES9788PVA** **NEOREST AH**



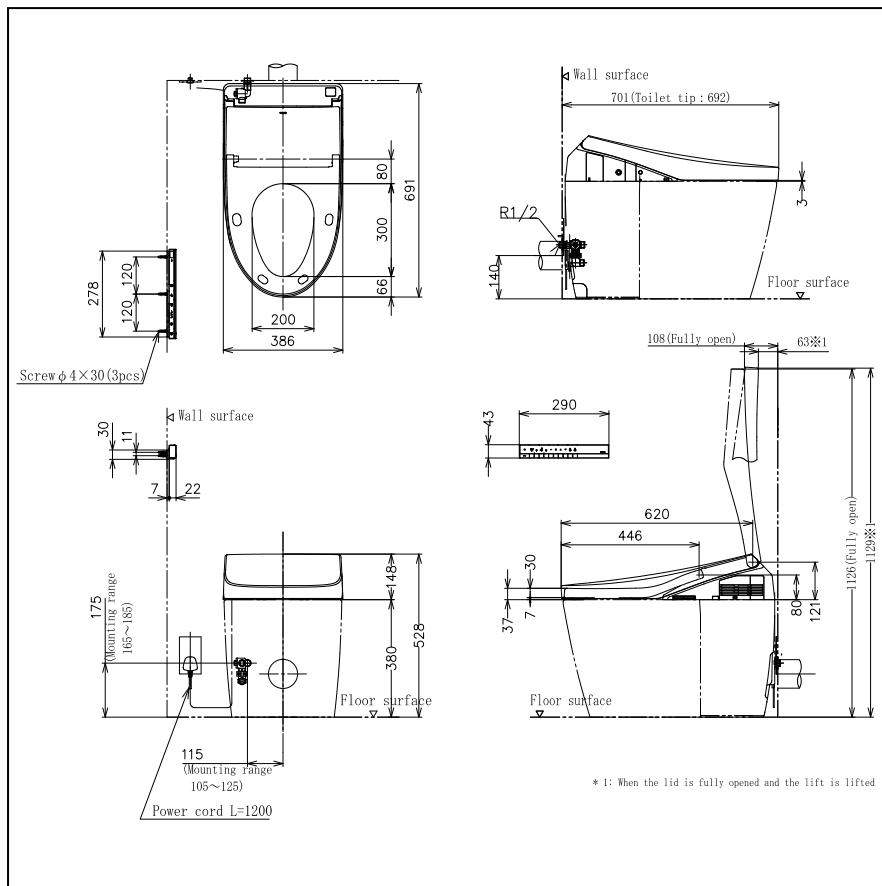
Features

- Integrated appearance of luxury and streamlined cleanliness
- Integral Washlet features front and rear warm water washing
- Automatic operation : Lid opens, closes and toilet flushes when sensor is activated

Specifications

Flush System : Tornado
 Water Use : 4.8/3.4 L
 Water Pressure : 0.05 ~ 0.75 MPa
 Power : AC220-240V, 50/60Hz
 Size : W386 x D691 x H528 mm
 Rough-In : 140 mm. (P-Trap)

Drawing:



Colors

- Body color:
White

TOTO (THAILAND) CO.,LTD
 Bangkok Office : G Tower Grand Rama 9,12th Floor, South Wing, 9 Rama IX Road,Huaykwang Sub-district,Huaykwang District, Bangkok. 10310 Thailand
 Tel : +(66)2-117-9520(AUTO) Fax : +(66)2-117-9527
 th.toto.com