

NEOREST AH Luxurious Integrated Toilet

CES9788PRVA



Features

- *Integrated appearance of luxury and streamlined cleanliness to create a elegant and seamless design*
- **Hybrid Ecology System**
- WATER SAVING dual flush 4.5L / 3L
- Minimum required water pressure only at 0.05MPa (Dynamic)
- **New TORNADO FLUSH System**
360° cleaning power reaches every spot using less water with high pressure from newly developed bowl
- **TORNADO FLUSH waterjet outlet is now newly placed in hidden position to introduce a cleaner aesthetics**
- **RIMLESS**
Simply beautiful in shape with no shaded area make cleaning easier
- **AIR-IN WONDER WAVE Cleansing**
propels a succession of water drop lets which saturate with air increase size by 30%
- **Build-in with Motion Sensor - Microwave technology**
- **HEATED SEAT with temperature control**
- **PREMIST water is sprayed inside the toilet bowl to make it difficult for dirt to adhere**
- **EWATER+ automatically spreads out and keeps clean toilet bowl and nozzle by preventing bacteria with sanitizing effect**
- **Auto powerful DEODORIZER activates after every usage**
- **Adjustable WARM AIR DRYING**

EWATER+ is made from tap water by electrolyzed chloride ion without any chemicals. After use, it returns to normal water in the state of safe and environmental friendly.

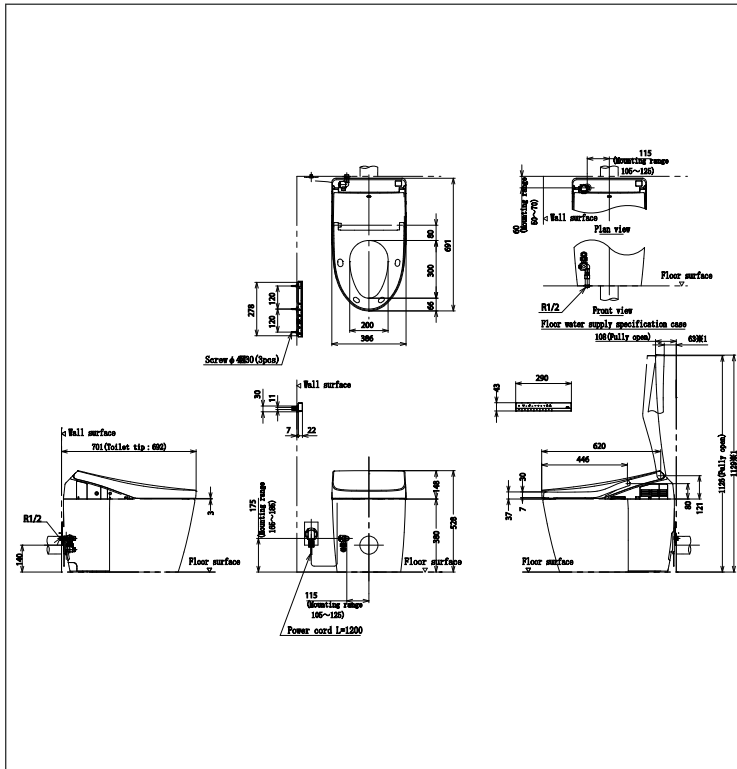
Specifications

- Flush System** : TORNADO
Water Use : 4.5L / 3L
Rough-in : 120~155 mm
Water Pressure : 0.05MPa~0.75MPa
Seat & Cover : TCF9788WTH#NW1
Power Rating : 220~240V , 50/60Hz , 820~839W
Length of Power Cord : 1.2 m
Size : 386W x 691D x 528H mm
Material : Bowl -Ceramic
 WASHLET™ -Plastic
 Remote Controller -Aluminium

Colors

White (#NW1)

Please consult a TOTO representative for details



TOTO (THAILAND) CO.,LTD

Bangkok Office : G Tower Grand Rama 9,12th Floor, South Wing, 9 Rama IX Road,Huaykwang Sub-district,Huaykwang District, Bangkok. 10310 Thailand
 Tel : +(66)2-117-9520(AUTO) Fax : +(66)2-117-9527
 th.toto.com