

Item number: **CES9768VA NEOREST RH**



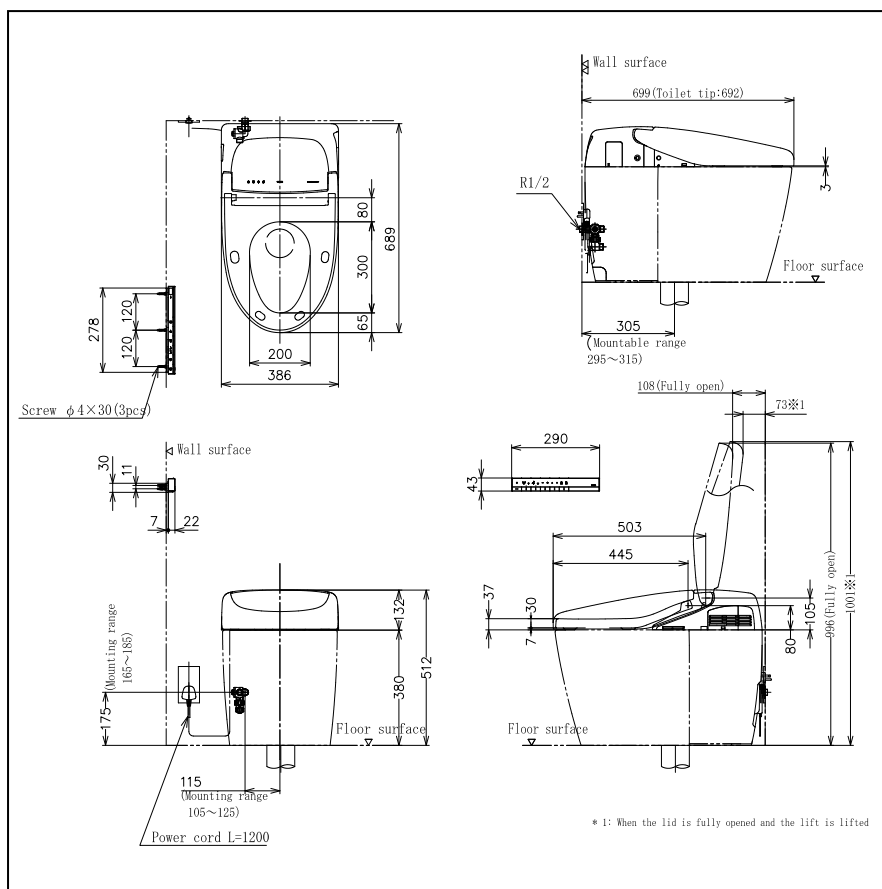
Features

- Integrated appearance of luxury and streamlined cleanliness
- Integral Washlet features front and rear warm water washing
- Automatic operation : Lid opens, closes and toilet flushes when sensor is activated

Specifications

Flush System : Tornado
Water Use : 3.8/3 L
Water Pressure : 0.05 ~ 0.75 MPa
Power : AC220-240V, 50/60Hz
Size : W386 x D689 x H512 mm
Rough-In : 305 mm. (S-Trap)

Drawing:



Colors

- Body color: White