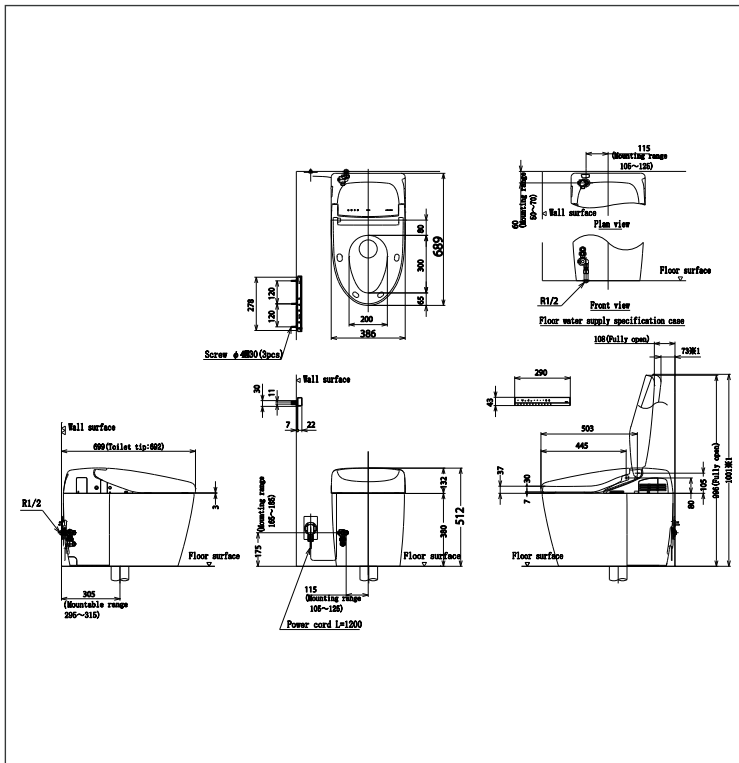


NEOREST RH Luxurious Integrated Toilet



CES9768RVA

Features

- *Integrated appearance of luxury and streamlined cleanliness to create a elegant and seamless design*
- *Hybrid Ecology System*
- WATER SAVING dual flush 3.8L / 3L
- Minimum required water pressure only at 0.05MPa (Dynamic)
- *New TORNADO FLUSH system*
360° cleaning power reaches every spot using less water with high pressure from newly developed bowl
- *TORNADO FLUSH waterjet outlet is now newly placed in hidden position to introduce a cleaner aesthetics*
- *RIMLESS*
Simply beautiful in shape with no shaded area make cleaning easier
- *AIR-IN WONDER WAVE* Cleansing propels a succession of water drop lets which saturate with air increase size by 30%
- *Build-in with Motion Sensor - Microwave technology*
- *HEATED SEAT with temperature control*
- *PREMIST water is sprayed inside the toilet bowl to make it difficult for dirt to adhere*
- *EWATER+ automatically spreads out and keeps clean toilet bowl and nozzle by preventing bacteria with sanitizing effect*
- *Auto powerful DEODORIZER activates after every usage*
- *Adjustable WARM AIR DRYING*

EWATER+ is made from tap water by electrolyzed chloride ion without any chemicals. After use, it returns to normal water in the state of safe and environmental friendly.

Specifications

- Flush System** : TORNADO
Water Use : 3.8L / 3L
Rough-in : 305 mm
Water Pressure : 0.05MPa~0.75MPa
Seat & Cover : TCF9768WTH#NW1
Power Rating : 220~240V, 50/60Hz, 820~839W
Length of Power Cord : 1.2 m
Material : Bowl -Ceramic
 WASHLET™ -Plastic
 Remote Controller -Aluminium
Size : 386W x 689D x 512H mm

Colors

White (#NW1)

Please consult a TOTO representative for details

TOTO (THAILAND) CO.,LTD

Bangkok Office : G Tower Grand Rama 9,12th Floor, South Wing, 9 Rama IX Road,Huaykwang Sub-district,Huaykwang District, Bangkok. 10310 Thailand
 Tel : +(66)2-117-9520(AUTO) Fax : +(66)2-117-9527
 th.toto.com

All rights reserved by TOTO company. Specifications and size are subject to change without notice.