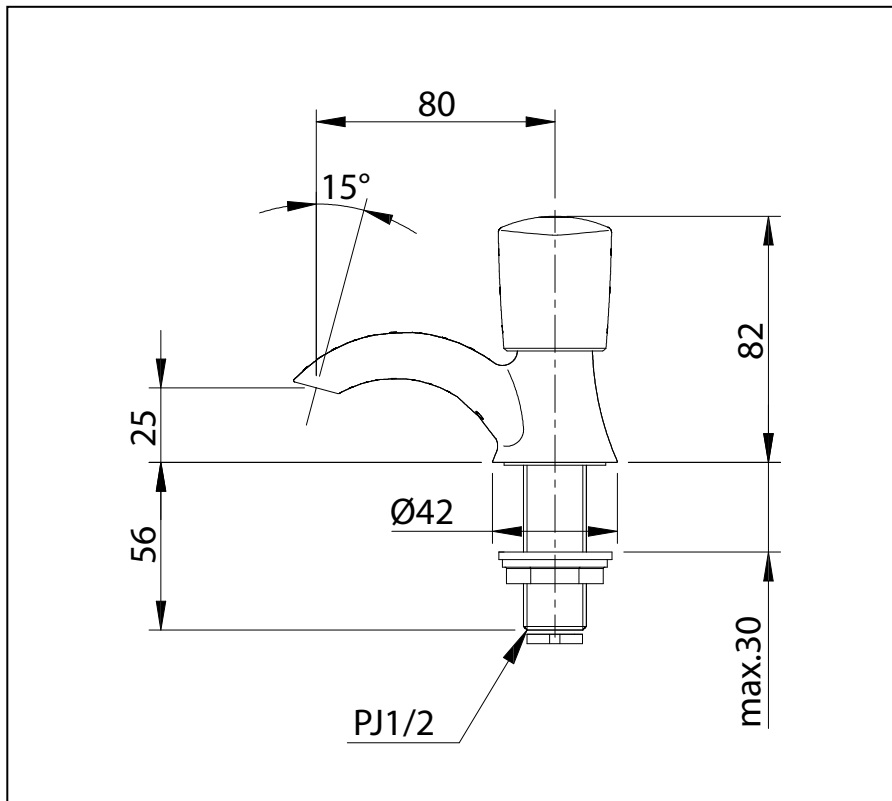


**Features**

- Durable finishes
- Brass valve bodies

Specifications

Water Pressure	: 0.05MPa - 0.75MPa
Material	: Brass
Finish	: Nickel Chrome

Drawing:**Parts description**

- **TX129L**
Lavatory Faucet (Cold Water)

Please consult a TOTO representative for details