

Item number: **CES989PVA**

**NEOREST DH**



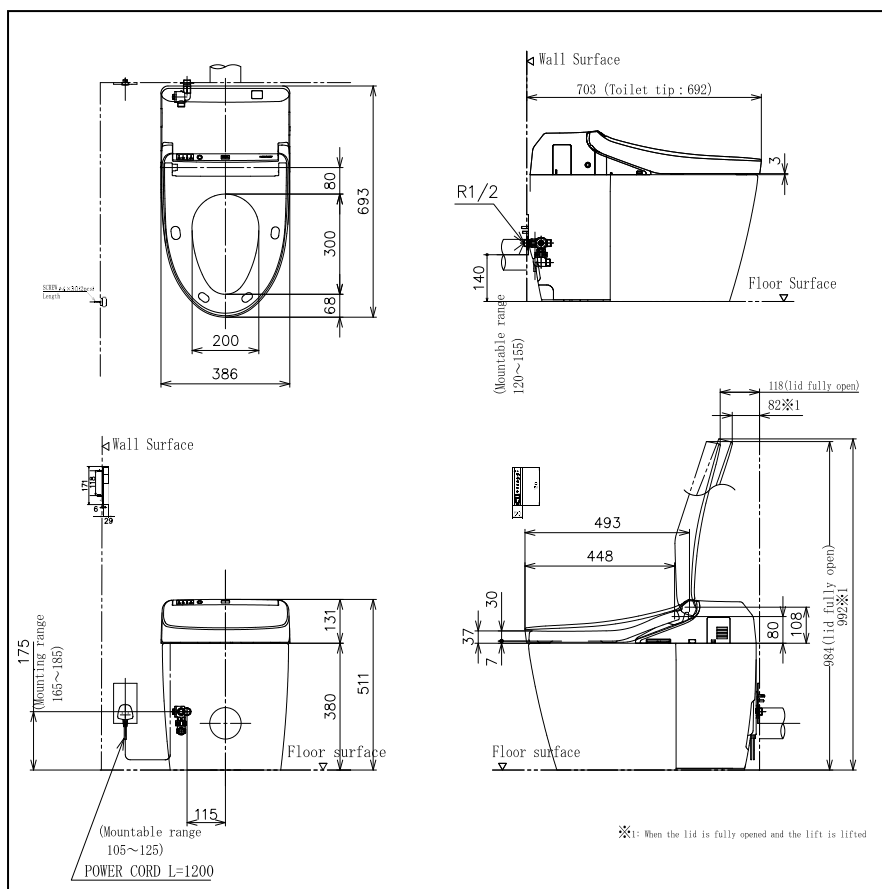
## Features

- Integrated appearance of luxury and streamlined cleanliness
- Integral Washlet features front and rear warm water washing
- Automatic operation : Lid opens, closes and toilet flushes when sensor is activated

## Specifications

Flush System : Tornado  
 Water Use : 4.8/3.4 L  
 Water Pressure : 0.05 ~ 0.75 MPa  
 Power : AC220-240V, 50/60Hz  
 Size : W386 x D693 x H511 mm  
 Rough-In : 140 mm. (P-Trap)

## Drawing:



## Colors

- Body color: White