

### Hand Rail



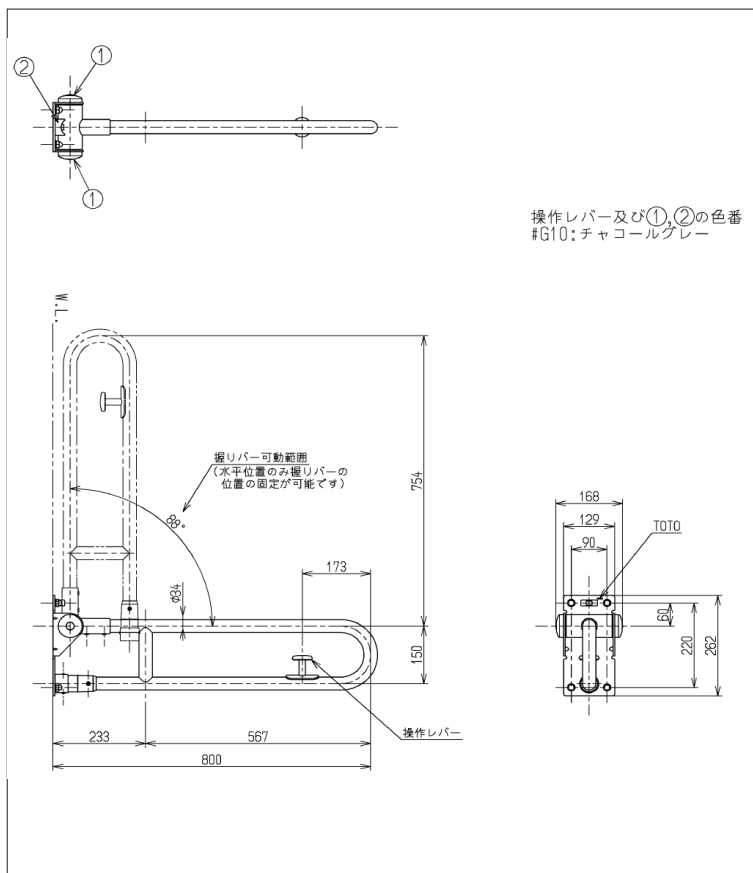
## Features

- Highly resistant to scratches and stains
- Requires less maintenance
- Ideal for use in public areas
- Essential for handicap toilet
- Movable function gives more convenience

## Specifications

Size : 800 x 150 mm (Ø 34)

Material : Stainless Steel



## Parts Description

- **T113HK8R**  
Handrail

Please consult a TOTO representative for details