

GA Series  
Single Lever Lavatory Faucet  
(Semi-tall Vessel)  
(Without Pop-Up Waste)  
(Cold Water Only)

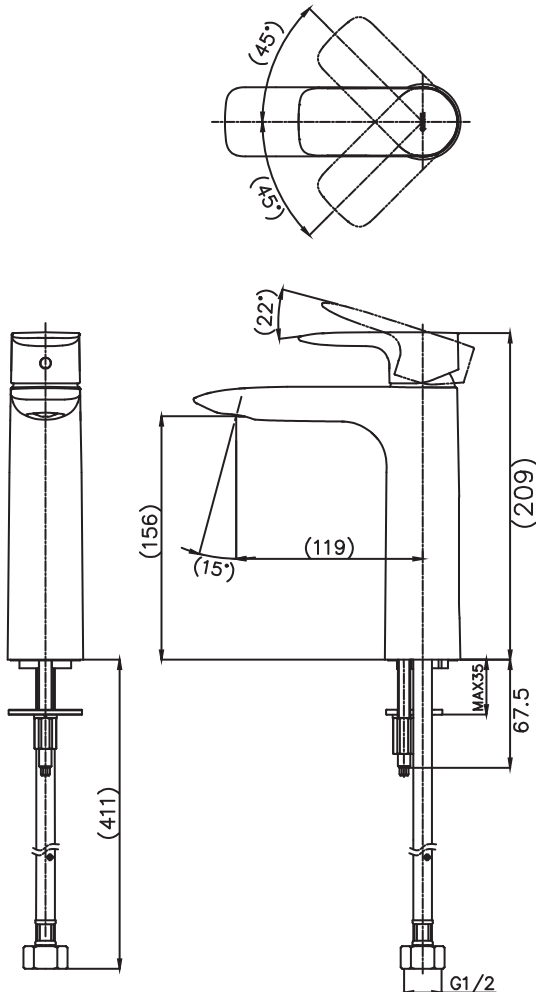


## Features

- Design Concept is Gorgeous and Advance.
- Long lasting, comfort glide mechanism for a smooth operation
- High corrosion resistance plating



TLG04106T



## Specifications

Finish : Chrome

Material : Brass

Water Pressure : 0.05 ~ 1.0 Mpa

## Parts Description

- **TLG04106T**  
Single Lever Lavatory Faucet  
(Semi-tall Vessel)  
(without pop-up waste)  
(cold water only)

Please consult a TOTO representative for details