

Item number: **CES989VA**      **NEOREST DH**



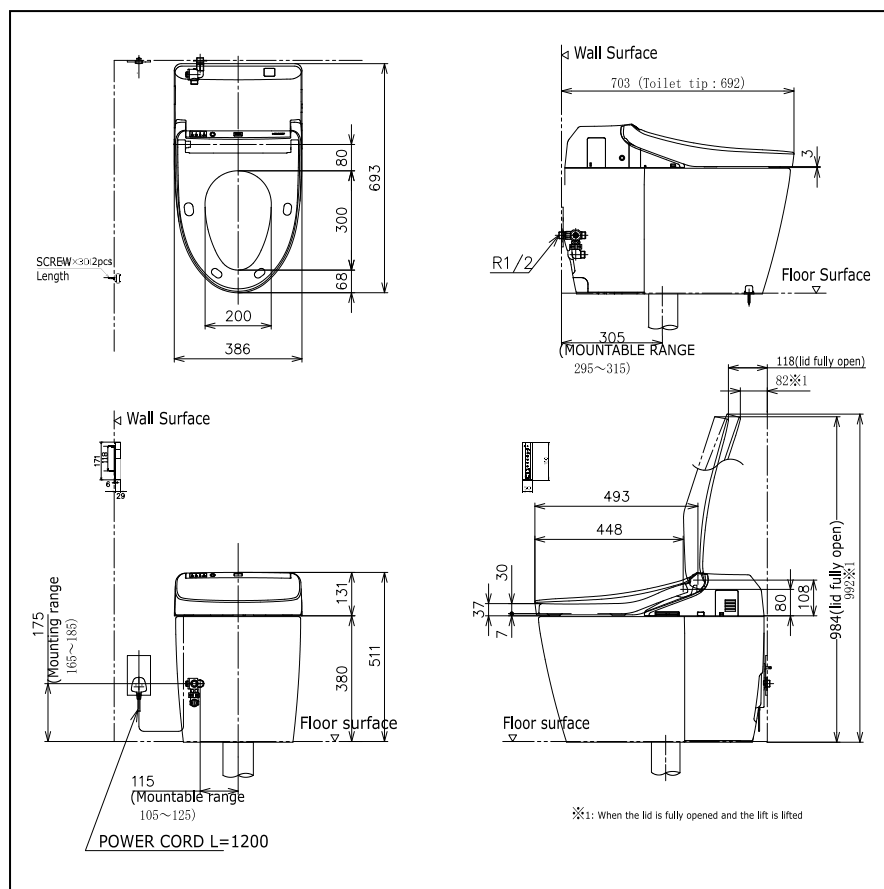
## Features

- Integrated appearance of luxury and streamlined cleanliness
- Integral Washlet features front and rear warm water washing
- Automatic operation : Lid opens, closes and toilet flushes when sensor is activated

## Specifications

Flush System : Tornado  
 Water Use : 3.8/3 L  
 Water Pressure : 0.05 ~ 0.75 MPa  
 Power : AC220-240V, 50/60Hz  
 Size : W386 x D693 x H511 mm  
 Rough-In : 305 mm. (S-Trap)

## Drawing:



## Colors

- Body color: White